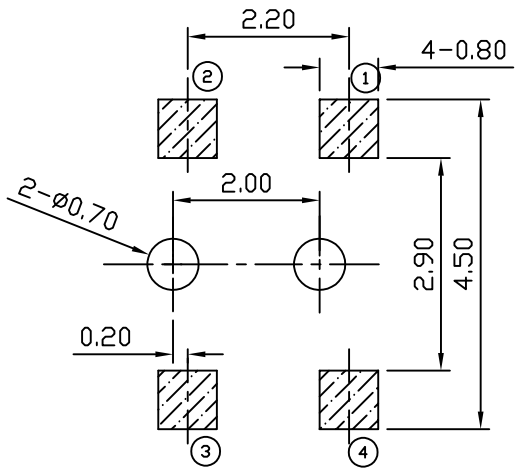
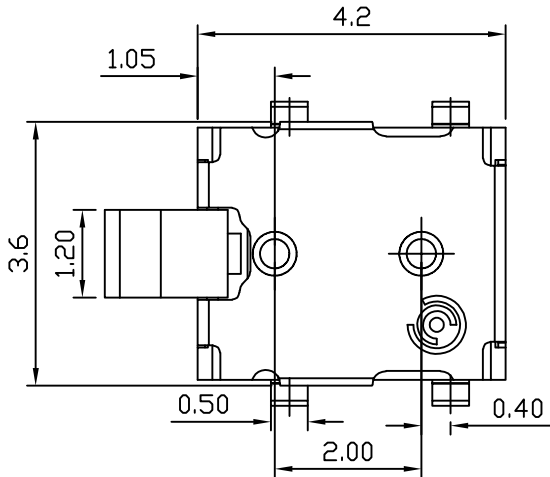
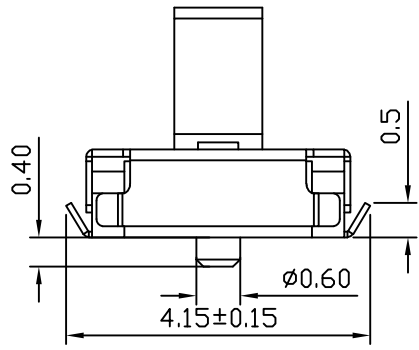
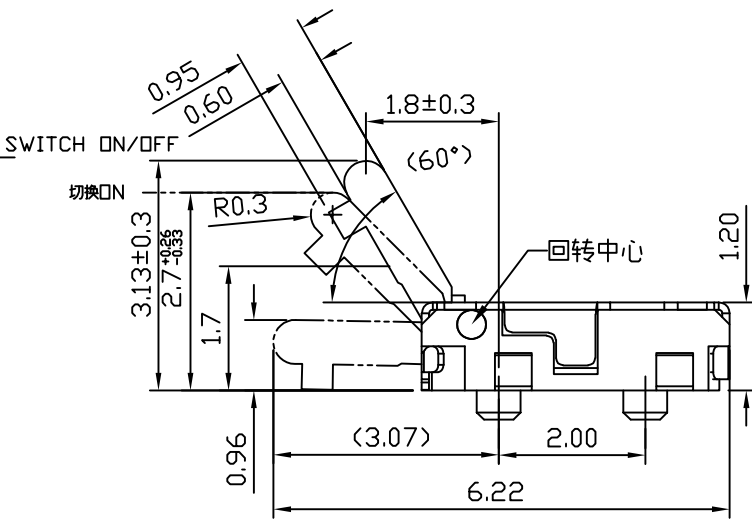
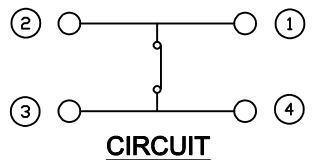


本公司智慧财产未经许可不得复制  
ming biao copyright, may not be used without permission from ming biao.



P.C.B LAYOUT



**SPECIFICATIONS:**

- Operating temperature range: -40°C to +85°C
- Rating: 1mA, 5V DC Max
- Insulation resistance: 500MΩ min, 100V DC
- Dielectric strength: 100V, AC, 1Min
- Contact resistance: 3Ω Max
- Life: 50,000 Cycles
- Travel: 1.93±0.5mm
- Operating force: 35gf Max



		东莞市铭标电子科技有限公司 Ming Biao Electronic Technology Co., Ltd.					
TOLERANCE UNLESS OTHERWISE STATED				DESIGN WYJ	DATE 2024. 04. 30	TITLE Detector Switch	
X.X	±0.20	SIZE	A4	CHKD	DATE	MODEL	JVBU01-N-R
X.XX	±0.15	REV	A	APPD	DATE	SHEET	1/3
X.XXX	±0.10	UNIT	mm	SCALE	10:1	PRINT DATE	2024.07.04

