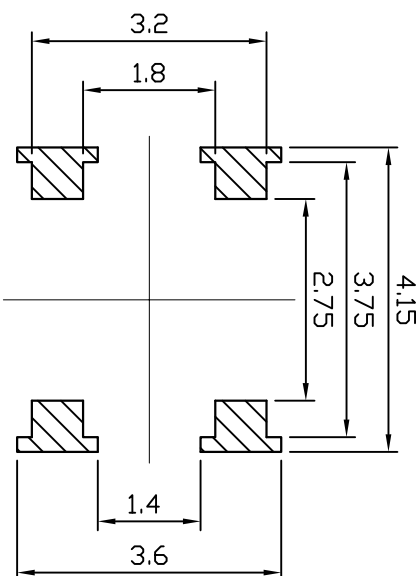
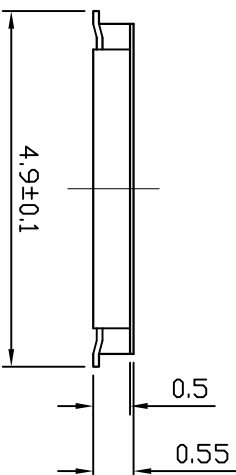
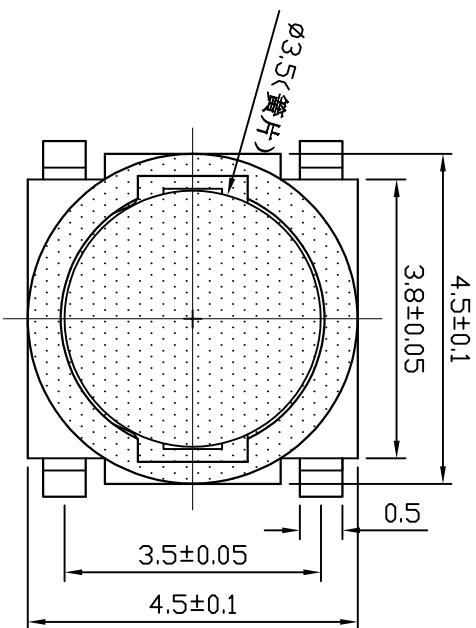
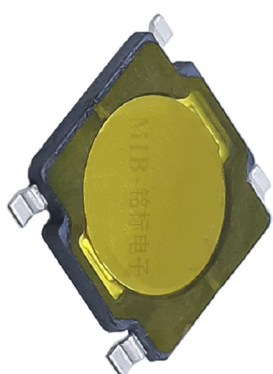


1 2 3 4 5 6 7 8 9 10



本公司智慧财产未经许可不得复制
Ming Biao copyright may not be used without permission from ming biao.



PCB LAYOUT

SPECIFICATIONS:

Operating temperature range: -20°C to $+70^{\circ}\text{C}$
 Rating: Max 50 mA 12V DC Min 10 μ A 1V DC
 Insulation resistance: 100M Ω min. 100V DC
 Dielectric strength: 250V. AC. 1Min
 Contact resistance: 100m Ω Max
 Life: 100,000 Cycles
 Travel: 0.15 \pm 0.1mm
 Operating force: 160 \pm 50gf



				东莞市铭标电子科技有限公司 Ming Biao Electronic Technology Co., Ltd.	
TOLERANCE		DESIGN		DATE	
UNLESS OTHERWISE STATED		9999		2024.03.09	
XX	± 0.20	SIZE	A4	CHKD	Tact Switch
XX	± 0.15	REV	A	DATE	
XXX	± 0.10	UNIT	mm	APPD	MODEL
	$\pm 2^{\circ}$	SCALE	10:1	DATE	TAM10-NYJ-R
				SHEET	1/3
				PRINT DATE	2024.06.04

