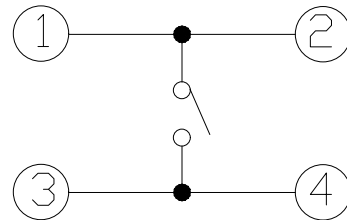
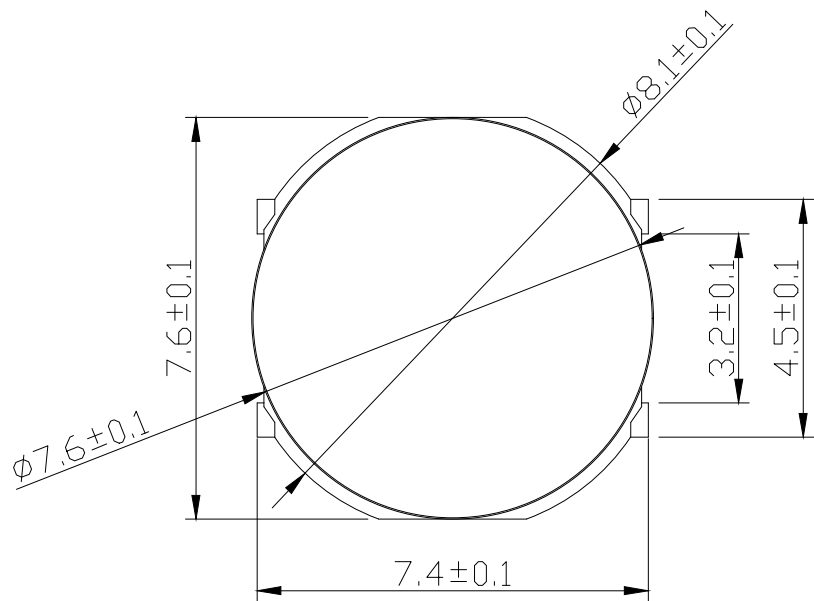
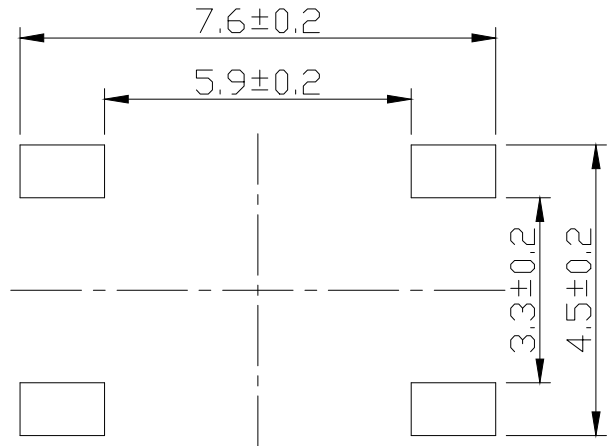
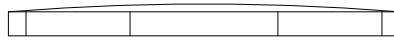
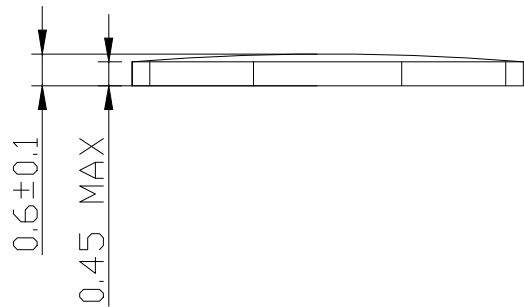


RevNo	Revision note	Date	Signature



P.C.B LAND  
DIMENSION

CIRCUIT DIAGRAM

NOTE

1. RATING : DC 12V 50mA
2. CONTACT RESISTANCE : 100mΩ MAX

REFERENCE DRAWING

MODEL NO.	CODE NO.	"H"	STEM COLOR	BASE COLOR	Ø/FORCE	LIFE
TAF17-N		0.60 mm	BALK		250±50gf	100,000 Cycles

Designed by L.X.L		东莞市铭标电子科技有限公司	
Checked by	Unit mm	Scale 1/1	Date 2024.01.15
Approved by	Item Tactile Switch	Sheet A-Cad	Rev. 1/1 0
Model Switch			