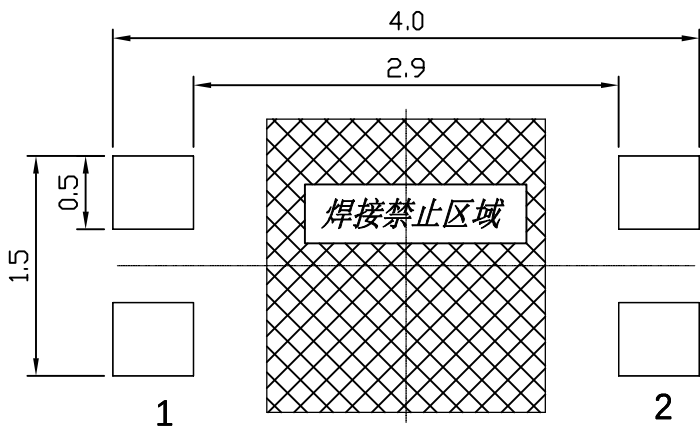
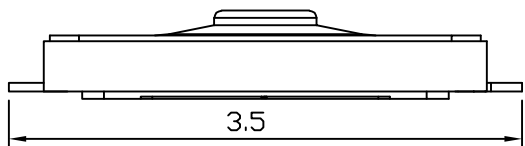
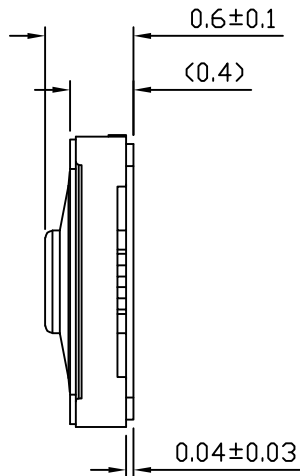
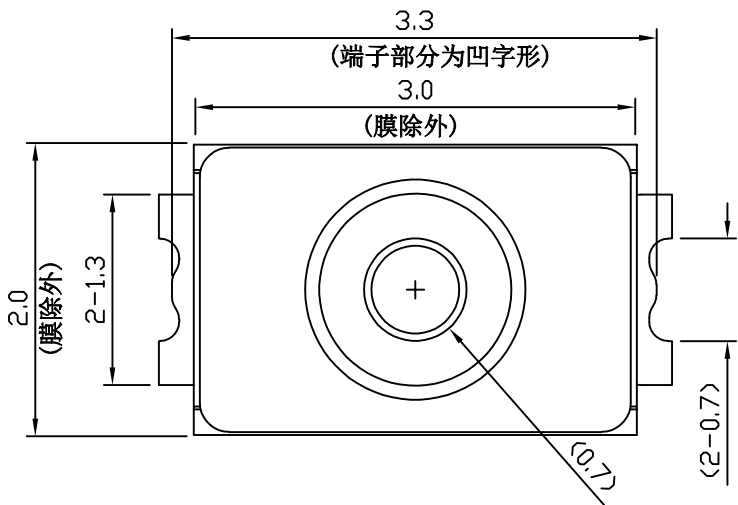


1 2 3 4 5 6 7 8 9 10

A
B
C
D
E
F
G
H



P.C.B LAYOUT

本公司智慧财产未经许可不得复制
ming biao copyright, may not be used without permission from ming biao.



CIRCUIT

SPECIFICATIONS:

Operating temperature range: -40°C to +85°C
 Rating: 50mA, 12V DC Max
 Insulation resistance: 100MΩ min, 100V DC
 Dielectric strength: 100V AC for 1Min
 Contact resistance: 100mΩ Max
 Life: 500,000 Cycles
 Travel: 0.13±0.05mm
 Operating force: 180±50gf



		东莞市铭标电子科技有限公司 Ming Biao Electronic Technology Co., Ltd.				
TOLERANCE UNLESS OTHERWISE STATED				DESIGN WYJ	DATE 2024.07.01	TITLE Tact Switch
X.X	±0.20	SIZE	A4	CHKD	DATE	MODEL TAF03-BWN-R-C-3S
X.XX	±0.15	REV	A	APPD	DATE	SHEET 1/3
X.XXX	±0.10	UNIT	mm	SCALE	20:1	PRINT DATE 2024.07.27
∠	±2°					