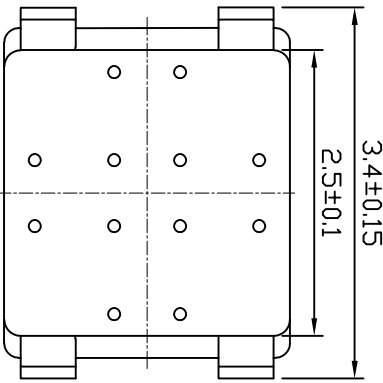
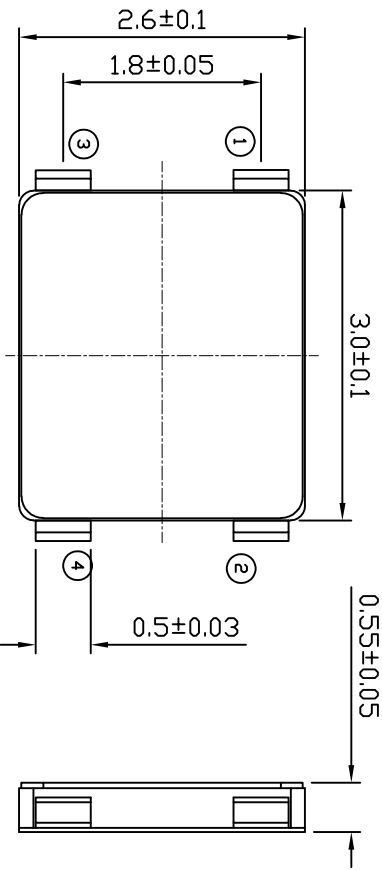
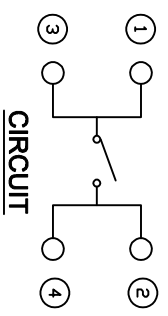
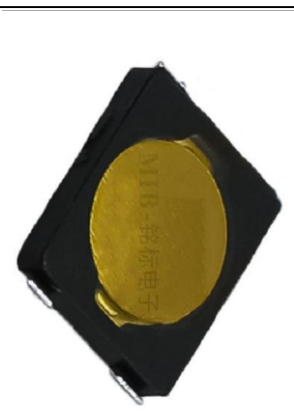


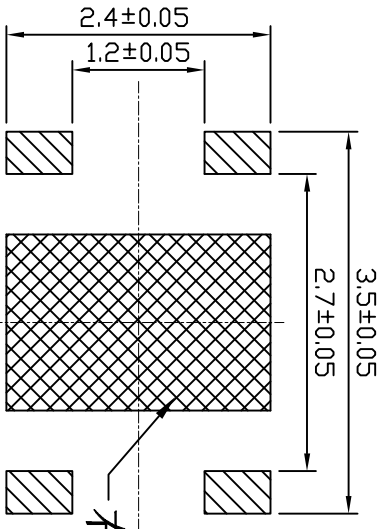
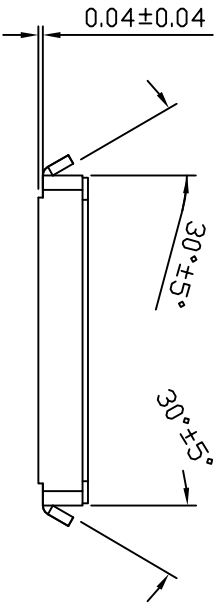
1 2 3 4 5 6 7 8 9 10



本公司智慧财产未经许可不得复制  
 Ming Biao copyright may not be used without permission from ming biao.



CIRCUIT



布线禁止区



**SPECIFICATIONS:**

Operating temperature range: -30°C to +85°C  
 Rating: Max 50 mA 12V DC  
 Insulation resistance: 100M Ω min. 100V DC  
 Dielectric strength: 100V AC, 1Min  
 Contact resistance: 100m Ω Max  
 Life: 100,000 Cycles  
 Travel: 0.15 ± 0.05mm  
 Operating force: 180 ± 50gf

TOLERANCE UNLESS OTHERWISE STATED		DESIGN	DATE
XX ±0.20 SIZE A4		9999	2024.03.22
XXX ±0.15 REV A		CHKD	DATE
XXXX ±0.10 UNIT mm		APPD	DATE
SCALE 15:1		TITLE Tact Switch	
		MODEL	TAU06-NYN-R
		SHEET	1/3
		PRINT DATE	2024.04.09

东莞市铭标电子科技有限公司  
 Ming Biao Electronic Technology Co., Ltd.