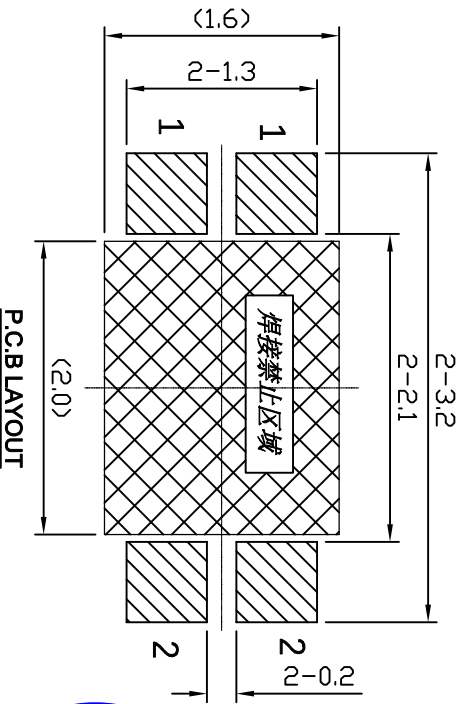
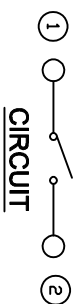
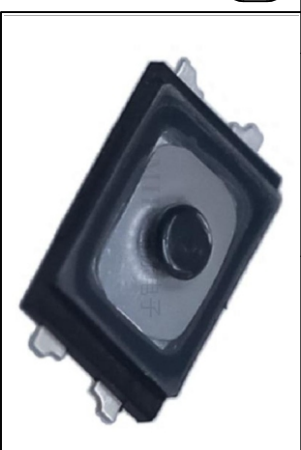
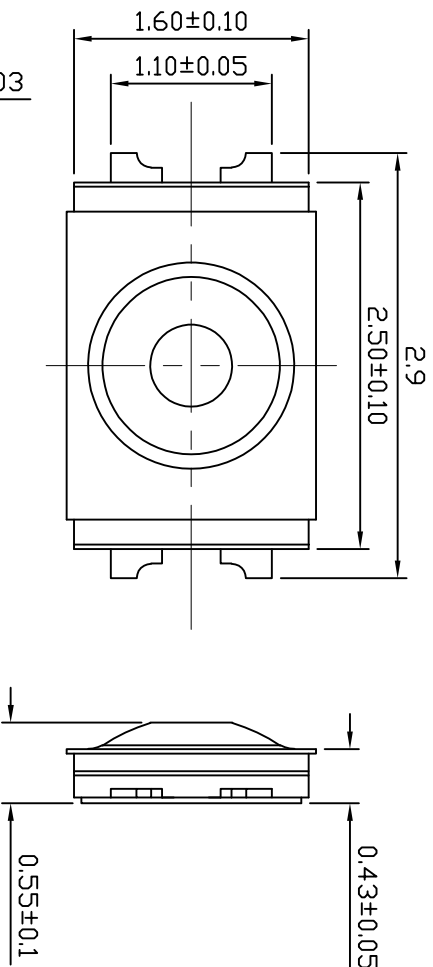


本公司智慧财产未经许可不得复制
ming biao copyright may not be used without permission from ming biao.



SPECIFICATIONS:

Operating temperature range: -30°C to +85°C
 Rating: Max 50 mA / 12V DC
 Insulation resistance: 100M Ω min. 100V DC
 Dielectric strength: 100V.AC. 1Min
 Contact resistance: 100m Ω Max
 Life: 50,000 Cycles
 Travel: 0.15±0.05mm
 Operating force: 200±50gf

东莞市铭标电子科技有限公司 Ming Biao Electronic Technology Co., Ltd.			
TOLERANCE		DESIGN	DATE
UNLESS OTHERWISE STATED		9999	2024.04.08
XX	±0.20	SIZE	A4
XXX	±0.15	REV	A
X.XXX	±0.10	UNIT	mm
∠	±2°	SCALE	20:1
		CHKD	DATE
		APPD	DATE
		SHEET	1/3
		PRINT DATE	2024.04.09
		TITLE	Tact Switch
		MODEL	TAF01-BWF-R-L