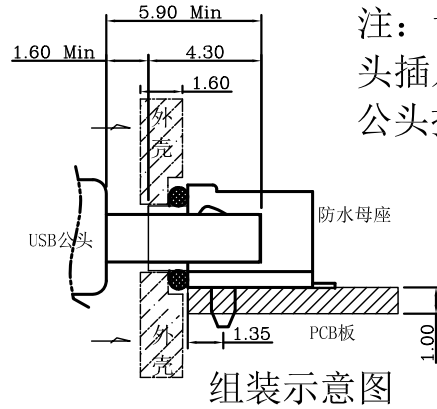
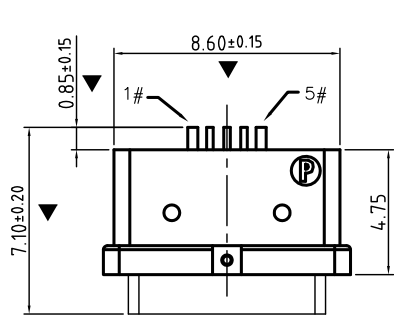


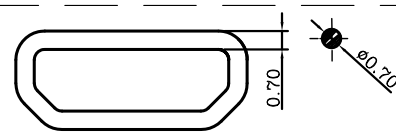
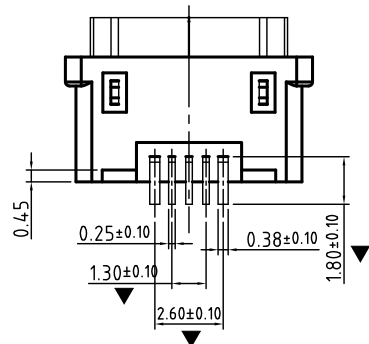
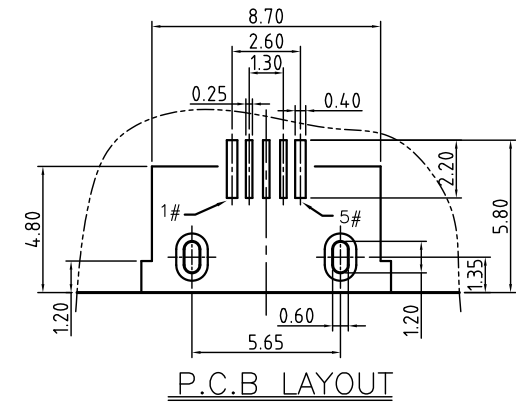
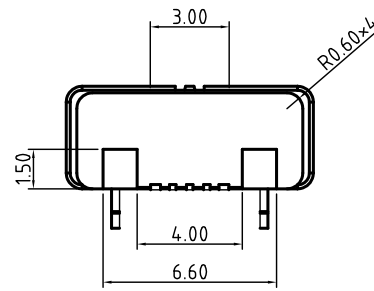
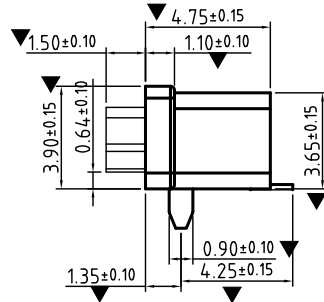
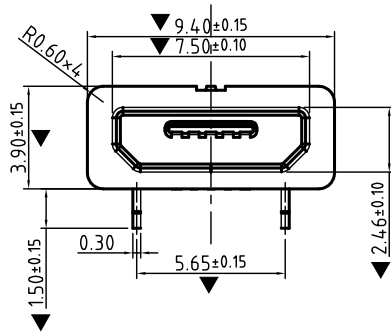
REV.	ECN. NO.	APPD.

注：设计时，请注意公头插入时的距离，防止公头插不到底。

- SPECIFICATIONS:
- ELECTRICAL CHARACTERISTICS:
    - RATING: 3A(PIN1&5),0.5A(PIN2&3&4);
    - CONTACT RESISTANCE: 30 mΩ MAX.(INITIAL);
    - DIELECTRIC WITHSTANDING: 500V AC MIN.;
    - INSULATION RESISTANCE: 1000MΩ MIN.;
  - DURABILITY: 5,000 CYCLES MIN.;
  - INSERTION FORCE: 3.5Kgf (35N) Max.;
  - EXTRACTION FORCE: 0.8Kgf (8N) Min.;
  - WATER PROOFNESS: THIS PRODUCT IS BASED ON IPX6
  - PLUG INTERFACE DIMENSIONS CONFORM TO USB2.0 SPEC.
  - PACKAGING: TAPE & REEL.



组装示意图



注：防水圈是圆形截面，直径为0.7mm的硅胶圈  
防水圈挤压力量，由0.7mm挤压到0.3mm ~ 0.4mm，防水效果好

Contact Number	Signal Name	Remarks
1#	VBUS	Power
2#	D-	Date-
3#	D+	Date+
4#	ID	Reserve or Gound
5#	GND	Gound

3	Shell	1	SUS304R-1/2H Ni Plating T=0.30mm
2	Contact	5	BRASS C2680R-H Au/Ni Plating T=0.20mm
1	Housing	1	PA10T (G.F30%)

ITEM	PART NAME	Q' TY	FINISH	NOTE
X.	±0.50	X.° ± 2°	UNITS	<b>东莞市铭标电子科技有限公司</b> PART NO. <b>USB-1101IPX6-02</b> TITLE: <b>Micro USB 5Pin SMT (B) Type (贴片插针)</b> DWG NO.: <b>USB-1101IPX6-02</b>
.X	±0.30	.X° ± 1°	mm	
.XX	±0.20	.XX° ± 0.5°	MAT'L	
.XXX	±0.05			
THESE DRAWINGS AND SPECIFICATIONS ARE THE PROPERTY OF E-ZONE ELECTRONIC TECHNOLOGY CO.,LTD.AND SHALL NOT BE REPRODUCED, COPIED OR USED IN ANY MANNER WITHOUT THE PRIOR WRITTEN CONSENT OF E-ZONE ELECTRONIC TECHNOLOGY CO., LTD				APPD: RADOM CHKD: MARK DR: <b>2016/04/03</b>
FINISH Q' TY				SCALE SHEET REV. 1/1 1/1 A1