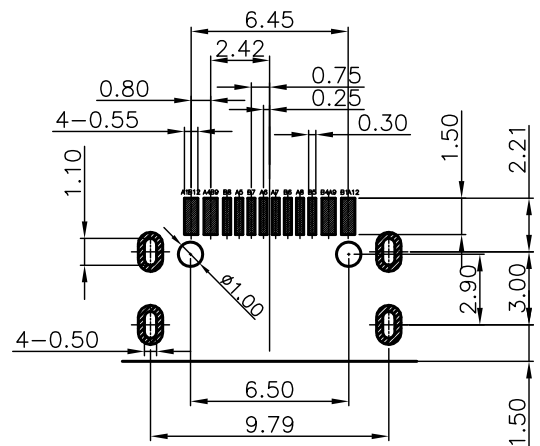
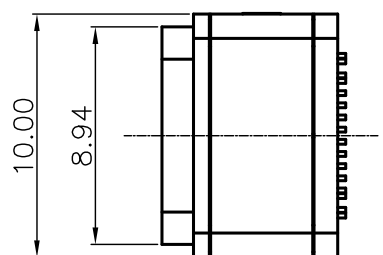
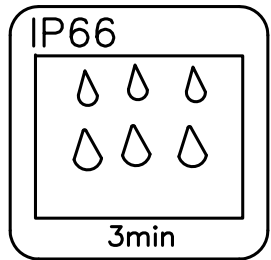


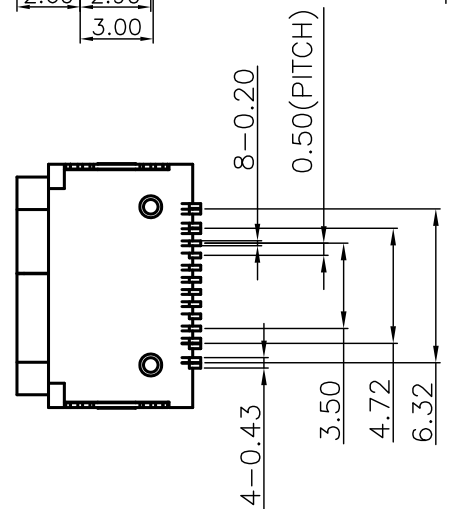
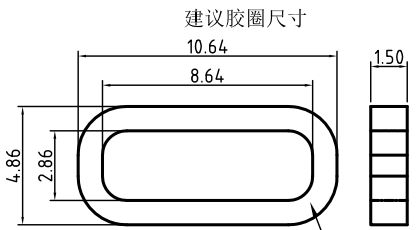
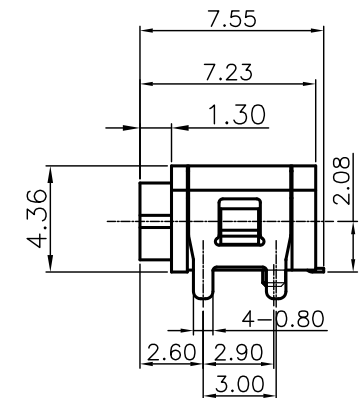
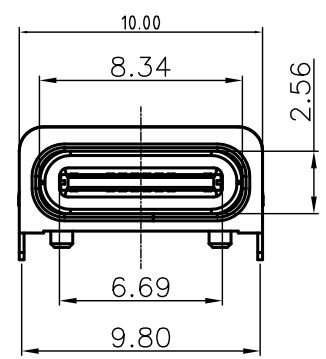
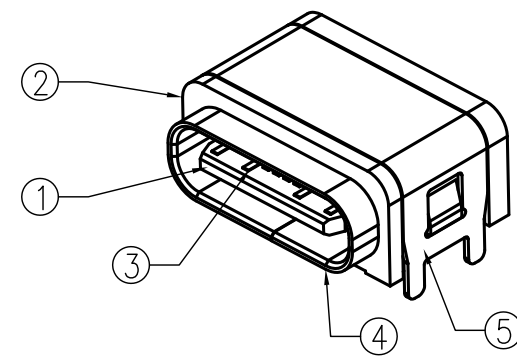
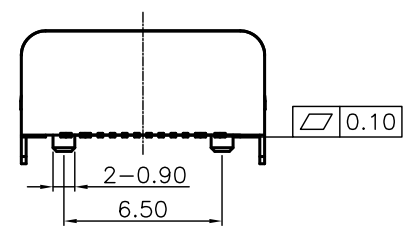
REV.	ECN. NO.	APPD.

结构设计注意：
1. 成品使用时，如有洗面奶泡沫、牙膏、洗手液、脏污液体，请在TYPE-C口外面再设计一层外壳，保护TYPE-C表面金手指不会被脏污覆盖。

- NOTES:
SPECIFICATION:
- CURRENT RATING: 3.0A MAX
 - DIELECTRIC WITHSTAND VOLTAGE: 100VAC
 - TEMPERATURE RANGE: -30 °C ~ 85 °C
 - CONTACT RESISTANCE: 40 MILLIONHM MAX
 - INSULATION RESISTANCE: 100 MEGOHMS MIN
 - INSERTION FORCE : 5N~20N
 - UNMATING FORCE: 8N~20N
 - DURABILITY:10,000 CYCLES



RECOMMENDED P.C.B. LAYOUT
TOLERANCE UNSPECIFIED ±0.05mm



A1	GND	B12	GND
A4	VBUS	B9	VBUS
A5	CC1	B8	SBU2
A6	DP1	B7	DN2
A7	DM1	B6	DP2
A8	SBU1	B5	CC2
A9	VBUS	B4	VBUS
A12	GND	B1	GND
PIN	SIGNAL NAME	PIN	SIGNAL NAME

NO.	DESCRIPTION	MATERIAL	REMARKS	QTY
6	防水圈	硅胶	BLACK	1PCS
5	SHELL	STAINLESS STEEL	NI P- XXXXXX	1PCS
4	SHIELDING PLATE	STAINLESS STEEL	NI P- XXXXXX	1PCS
3	CONTACT	High Conductivity Copper	RO/NI P- XXXXXX	1SET
2	SHELL HOUSING	HIGH TEMPERATURE PLASTIC	BLACK	1PCS
1	HOUSING	HIGH TEMPERATURE PLASTIC	BLACK	1PCS

UNITS mm		东莞市铭标电子科技有限公司		
MAT'L /		PART NO. USBC-0025IPX6-00	TITLE: TYPE C 2.0 16Pin SMT Type	
FINISH /		APPD: RADOM	DWG NO. :	
Q'TY /		CHKD: MARK	USBC-0025IPX6-00	
X. ±0.50 X.° ±2°		DR: JANE CHOU 2020/09/26	SCALE SHEET REV.	
.X ±0.30 .X° ±1°			1/1 1/2 A2	
.XX ±0.10 .XX° ±0.5°				
.XXX ±0.05				

Autodesk 教育版产品制作

Autodesk 教育版产品制作