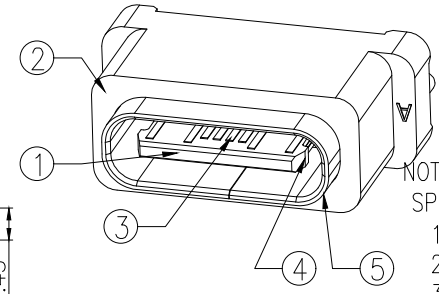
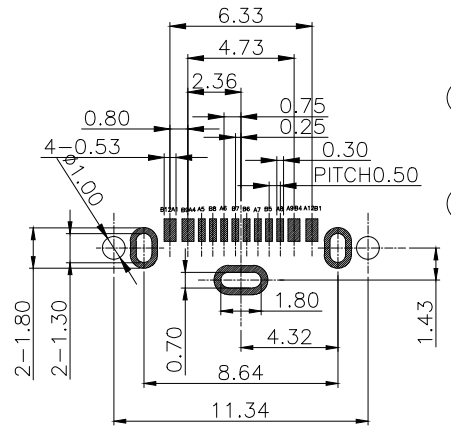
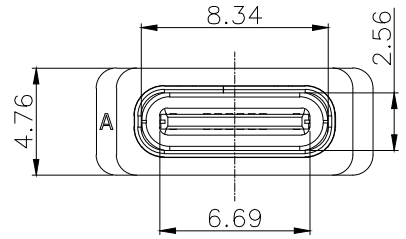
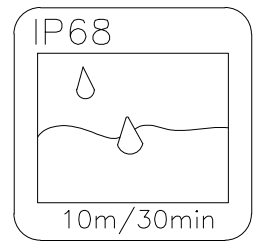
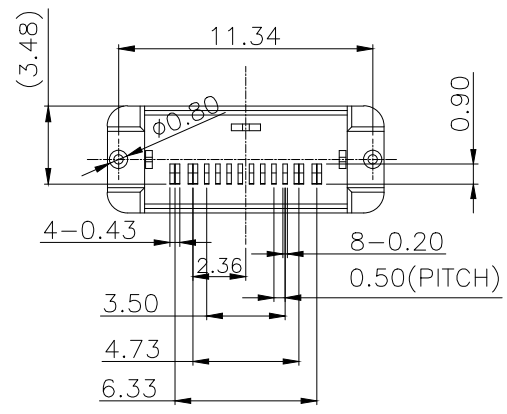
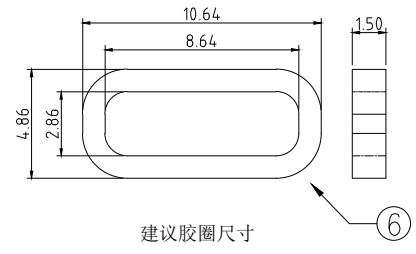
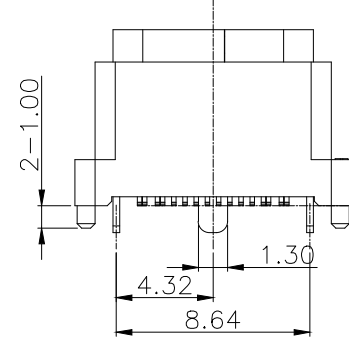
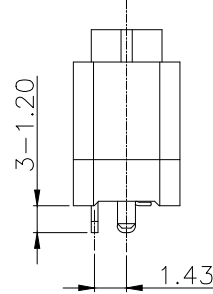
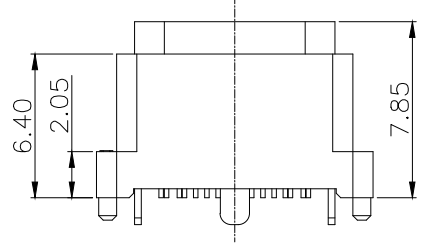


| REV. | ECN. NO. | APPD. |
|------|----------|-------|
|      |          |       |



- NOTES:  
SPECIFICATION:
1. CURRENT RATING: 3.0A MAX
  2. DIELECTRIC WITHSTAND VOLTAGE: 100VAC
  3. TEMPERATURE RANGE: -30 °C ~ 85 °C
  4. CONTACT RESISTANCE: 40 MILLIONHM MAX
  5. INSULATION RESISTANCE: 100 MEGOHMS MIN.
  6. INSERTION FORCE : 5N~20N
  7. UNMATING FORCE: 8N~20N
  8. DURABILITY:10,000 CYCLES

RECOMMENDED PCB LAYOUT(TOP VIEW)  
(GENERAL TOLERANCE±0.05)



| 7   | Cap             | HIGH TEMPERATURE PLASTIC | BLACK        | 1PCS |
|-----|-----------------|--------------------------|--------------|------|
| 6   | 防水圈             | 硅胶                       | BLACK        | 1PCS |
| 5   | SHELL           | STAINLESS STEEL          | NI Plated    | 1PCS |
| 4   | SHIELDING PLATE | STAINLESS STEEL          | NI Plated    | 1PCS |
| 3   | CONTACT         | High Conductivity Copper | Au/Ni Plated | 1SET |
| 2   | SHELL HOUSING   | HIGH TEMPERATURE PLASTIC | BLACK        | 1PCS |
| 1   | HOUSING         | HIGH TEMPERATURE PLASTIC | BLACK        | 1PCS |
| NO. | DESCRIPTION     | MATERIAL                 | REMARKS      | QTY  |

| A1  | GND         | B12 | GND         |
|-----|-------------|-----|-------------|
| A4  | VBUS        | B9  | VBUS        |
| A5  | CC1         | B8  | SBU2        |
| A6  | DP1         | B7  | DN2         |
| A7  | DN1         | B6  | DP2         |
| A8  | SBU1        | B5  | CC2         |
| A9  | VBUS        | B4  | VBUS        |
| A12 | GND         | B1  | GND         |
| PIN | SIGNAL NAME | PIN | SIGNAL NAME |

UNITS: mm

MAT'L: /

FINISH: /

Q'TY: /

东莞市铭标电子科技有限公司

PART NO.: USBC-0051IPX8-00

TITLE: TYPE C 2.0 16Pin 插 SMT Type

APPD: RADOM

CHKD: MARK

DR: JANE CHOU 2021/09/26

DWG NO.: USBC-0051IPX8-00

| SCALE | SHEET | REV. |
|-------|-------|------|
| 1/1   | 1/2   | A2   |