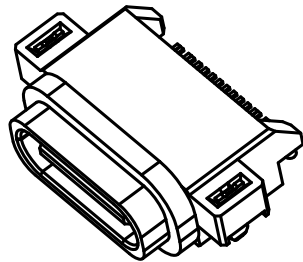
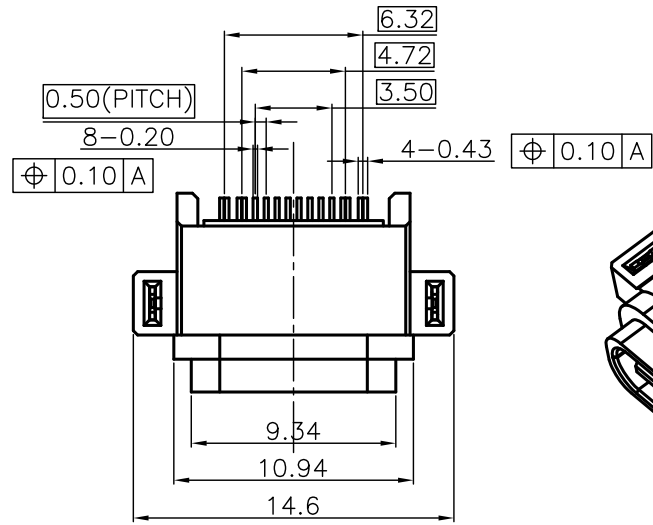


CAD GENERATED DRAWING. DON'T CHANGE BY HAND.

REV.	ECN. NO.	APPD.



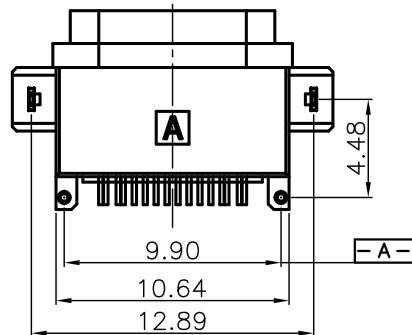
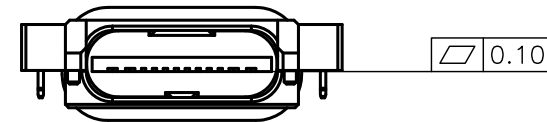
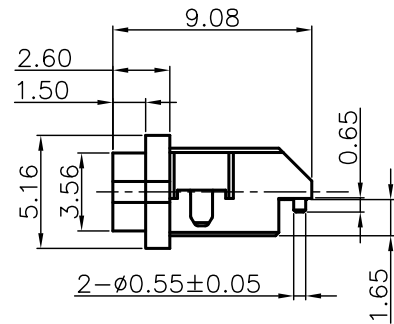
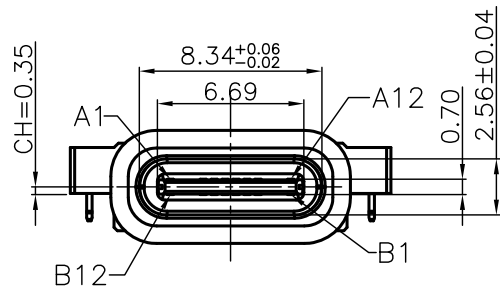
结构设计注意:

1. 成品使用时, 如有洗面奶泡沫、牙膏、洗手液、脏污液体, 请在TYPE-C口外面再设计一层外壳, 保护TYPE-C表面金手指不会被脏污覆盖。

NOTES:

SPECIFICATION:

- CURRENT RATING: 3.0A MAX
- DIELECTRIC WITHSTAND VOLTAGE: 100VAC
- TEMPERATURE RANGE: -30 °C ~ 85 °C
- CONTACT RESISTANCE: 40 MILLIONHM MAX
- INSULATION RESISTANCE: 100 MEGOHMS MIN.
- INSERTION FORCE : 5N~20N
- UNMATING FORCE: 8N~20N
- DURABILITY:10,000 CYCLES

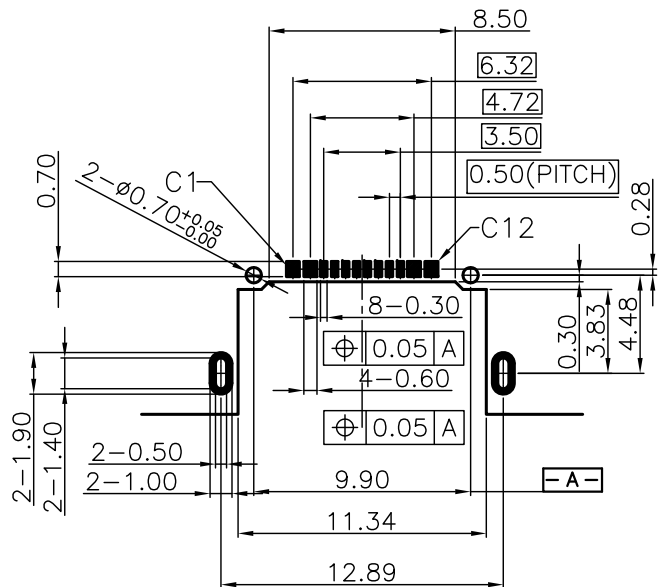


3	Shell	1	PA10T (G.F30%)	
2	Contact	5	C7025 TM03 Au/Ni Plating T=0.15mm	
1	Housing	1	PA10T (G.F30%)	
ITEM	PART NAME	Q' TY	FINISH	NOTE

UNITS mm	东莞市铭标电子科技有限公司		
MAT'L /	PART NO. USBC-0021PX7-00	TITLE: TYPE C 2.0 16Pin SMT Type	
FINISH /	APPD: RADOM	DWG NO. : USBC-0021PX7-00	
Q' TY /	CHKD: MARK	SCALE SHEET REV. 1/1 1/2 A2	
	DR: JANE CHOU 2018/09/26		

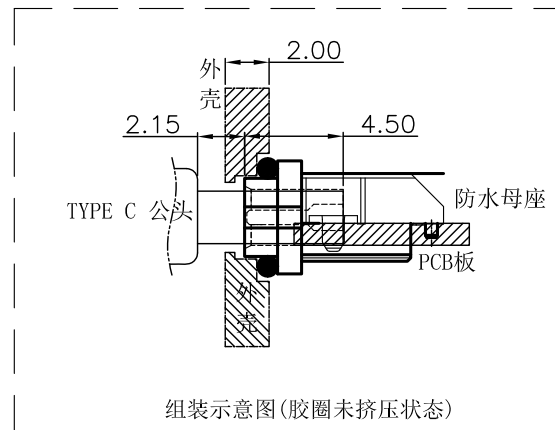
X.	±0.50	X.°	± 2°
.X	±0.30	.X°	± 1°
.XX	±0.10	.XX°	± 0.5°
.XXX	± 0.05		

REV.	ECN. NO.	APPD.



RECOMMENDED PCB LAYOUT(TOP VIEW)

THICKNESS T=1.0mm  
 DEFAULT TOLERANCE+/-0.05

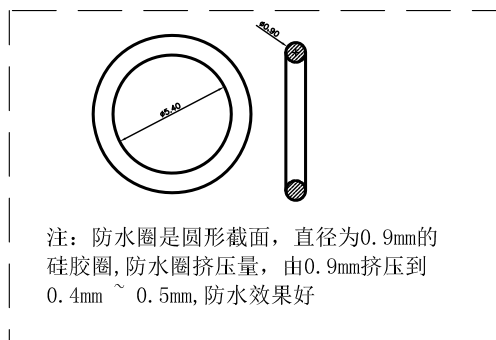


INTERFACE(FRONT VIEW)

A1	A2	A3	A4	A5	A6	A7	A8	A9	A10	A11	A12
GND			VBUS	CC1	DP1	DN1	SBU1	VBUS			GND
GND			VBUS	SBU2	DN2	DP2	CC2	VBUS			GND
B12	B11	B10	B9	B8	B7	B6	B5	B4	B3	B2	B1

PIN ASSIGNMENT

PIN NO.	A1&B12	A4&B9	B8	A5	B7	A6	A7	B6	A8	B5	A9&B4	A12&B1
SINGAL NAME	GND	VBUS	SBU2	CC1	DN2	DP1	DN1	DP2	SBU1	CC2	VBUS	GND
PCB PAD NO.	C1	C2	C3	C4	C5	C6	C7	C8	C9	C10	C11	C12



注：防水圈是圆形截面，直径为0.9mm的硅胶圈，防水圈挤压量，由0.9mm挤压到0.4mm ~ 0.5mm，防水效果好

UNITS mm	东莞市铭标电子科技有限公司		
MAT'L	PART NO. USBC-0021PX7-00	TITLE: TYPE C 2.0 16Pin SMT Type	
FINISH	APPD: RADOM	DWG NO. : USBC-0021PX7-00	
Q'TY	CHKD: MARK	SCALE SHEET REV. 1/1 2/2 A2	
	DR: JANE CHOU 2018/09/26		

X.	±0.50	X.°	± 2°
.X	±0.30	.X°	± 1°
.XX	±0.10	.XX°	± 0.5°
.XXX	± 0.05		