

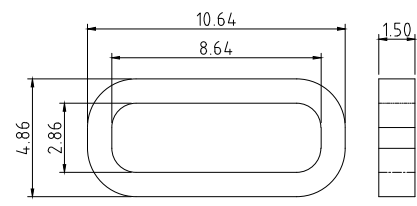
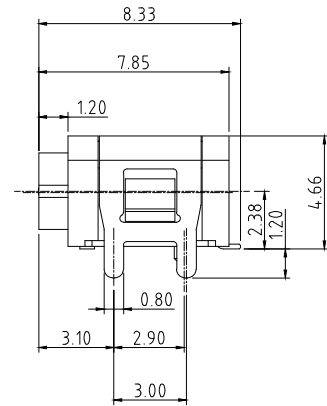
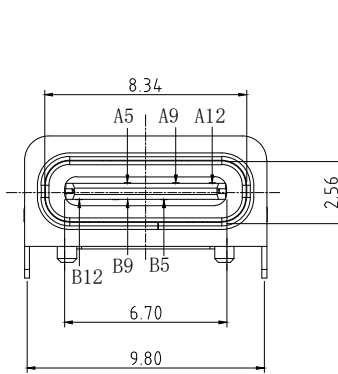
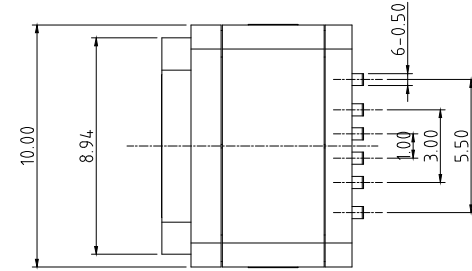
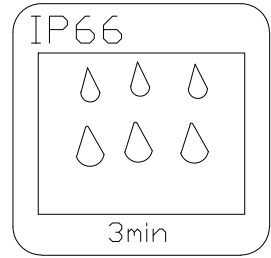
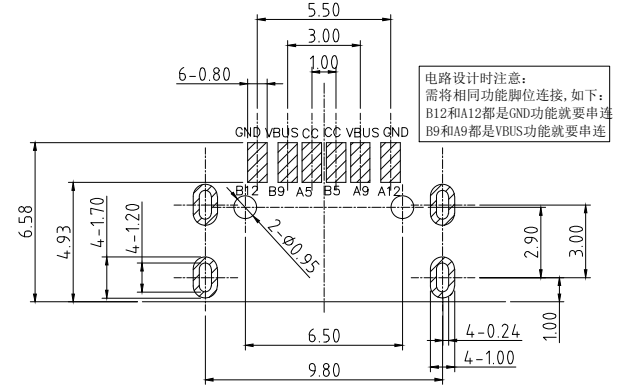
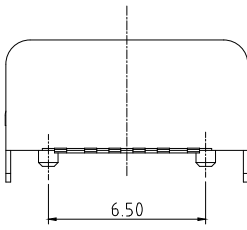
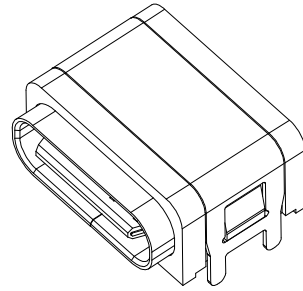
REV.	ECN. NO.	APPD.

结构设计注意:

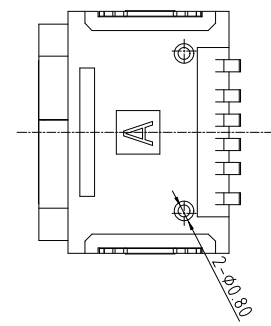
成品使用时, 如有洗面奶泡沫、牙膏、洗手液、脏污液体, 请在TYPE-C口外面再设计一层外壳, 保护TYPE-C母座与公头连接的金手指不会被脏污覆盖。

SPECIFICATIONS:

- ELECTRICAL CHARACTERISTICS:
 - RATING: 3A;
 - CONTACT RESISTANCE: 30 mΩ MAX.(INITIAL);
 - DIELECTRIC WITHSTANDING: 100V AC MIN.;
 - INSULATION RESISTANCE: 100MΩ MIN.;
- DURABILITY: 5,000 CYCLES MIN.;
- INSERTION FORCE: 5-20N;
- EXTRACTION FORCE: 8-20N;
- WATER PROOFNESS: THIS PRODUCT IS BASED ON IPX6.
- PLUG INTERFACE DIMENSIONS COMFORM TO USB2.0 SPEC.
- PACKAGING: TAPE & REEL.



建议胶圈尺寸



A5	CC1	B12	GND
A9	VBUS	B9	VBUS
A12	GND	B5	CC2
PIN	SIGNAL NAME	PIN	SIGNAL NAME

3	Shell	1	SUS304R-1/2H Ni Plating T=0.30mm
2	Contact	6	Brass Au/Ni Plating T=0.20mm
1	Housing	1	PA10T (G.F30%)

ITEM	PART NAME	Q' TY	FINISH	NOTE
X.	± 0.50	X.° ± 2°	UNITS	东莞市铭标电子科技有限公司
.X	± 0.30	.X° ± 1°	mm	
.XX	± 0.10	.XX° ± 0.5°	MAT'L	
.XXX	± 0.05			
			FINISH	PART NO. USB-C-0015IPX6-00
			Q' TY	TITLE: TYPE-C 6PIN板上四脚插板防水母座
			APPD: RADOM	DWG NO.: USB-C-0015IPX6-00
			CHKD: MARK	SCALE SHEET REV.
			DR: Steven.Rao 2016/08/08	1/1 1/1 A1