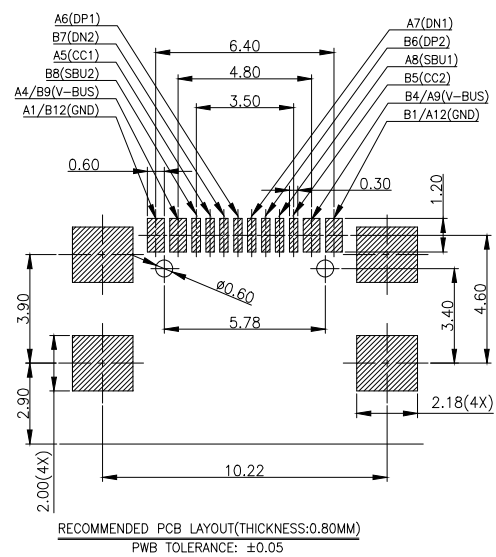
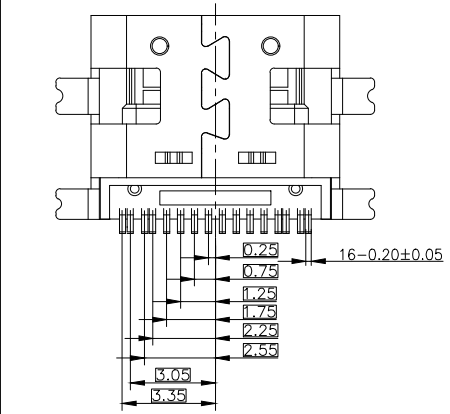
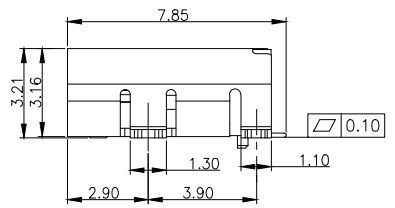
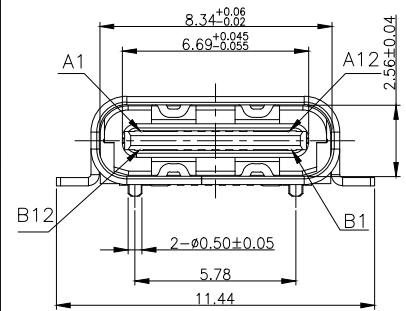
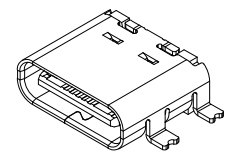
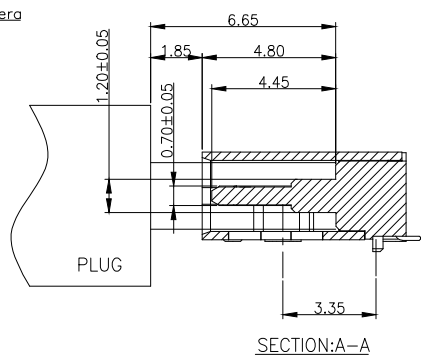
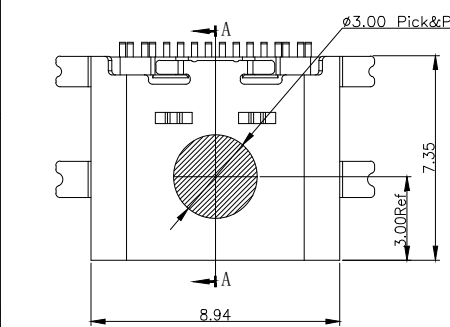


REV.	ECN.NO.	MODIFY.CONTENT	DATE
A0		NEW	2020/03/17



- 1.MATERIAL SPECIFICATION:  
 1.HOUSING:HIGH TEMPERATURE RESISTANT PLASTIC,UL94 V-0.  
 2.CONTACTS:COPPER ALLOY  
 3.MID PLATE: STAINLESS STEEL  
 4.FRONT SHELL: STAINLESS STEEL
- 2.PLATING SPECIFICATION:  
 2-1.CONTACTS:  
 1u"Au PLATED ON THE FUNCTIONAL AREA OF CONTACT.  
 Ni 30u" MIN. UNDER PLATED OVER ALL.
- 2-2.FRONT SHELL:  
 Ni 30u" MIN. UNDER PLATED OVER ALL.
- 3.MECHANICAL PERFORMANCE,  
 3-1.INSERTION FORCE: 0.5~2.0kgf.  
 3-2.REMOVAL FORCE: 0.8kgf~2.0kgf.  
 3-3.DURABILITY: 10000 CYCLES.
- 4.ELECTRICAL PERFORMANCE,  
 4-1. CURRENT RATING:3A~5A  
 VOLTAGE RATING:5V  
 4-2. LLCR:  
 VBUS & GND PINS AND OTHER PINS: 40mΩ/PIN MAX.  
 SHIELD: 50mΩ/MAX.  
 LLCR MAX. CHANGE OF ALL PINS: 10mΩ.  
 4-3.INSULATION RESISTANCE: 100MΩ MIN  
 4-4.DIELECTRIC WITHSTAND VOLTAGE,AC 100V FOR 1 MINUTE.
5. ENVIRONMENTAL PERFORMANCE:  
 OPERATING TEMPERATURE: -25°C~+85°C.
- 6.IR REFLOW:  
 THE PEAK TEMPERATURE ON THE BOARD SHALL  
 BE MAINTAINED FOR 10 SECONDS AT 260°C.

I-U4 16 735 07-1  
 I:DATA TYPE L1:GOLD PLATED G/F  
 U4:USB TYPE C C L07:SERIAL NUMBER  
 16:16Pin L735:L=7.35mm

GENERAL TOLERANCE	DWG NO.	APPD:	WIND	Scale	1:1
X.±0.45	x.'±5°	Title	USB TYPE C 16PIN 4SMT TYPE CONN. L=7.35mm	CHKD:	UNIT mm
.X±0.35	.x'±2°	Part NO.	I-U41673507-1	Date	2020/03/17
.XX±0.25	.xx'±1°	东莞市铭标电子科技有限公司 Ming Biao Electronic Technology Co., Ltd.			
.XXX±0.15	.xxx'±0.5°				
SHEET	1/2				