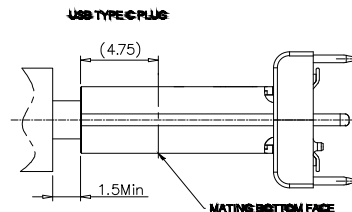
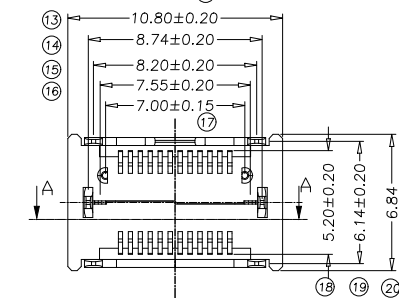
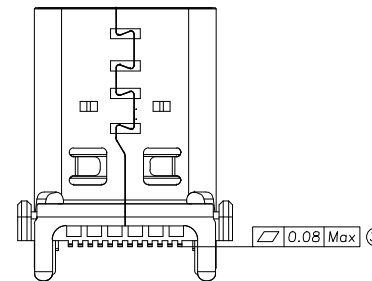
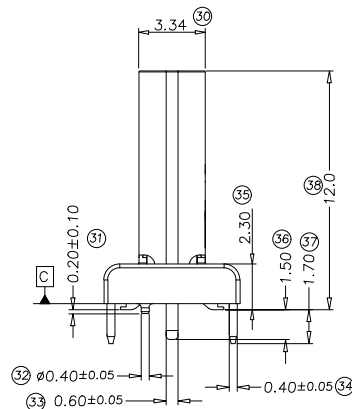
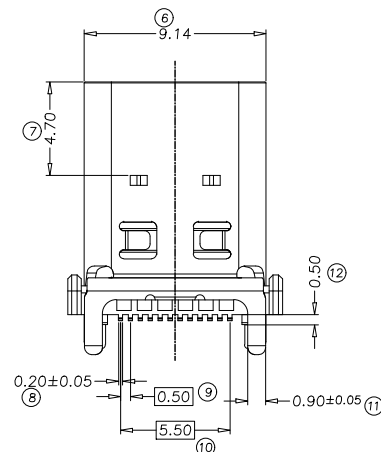
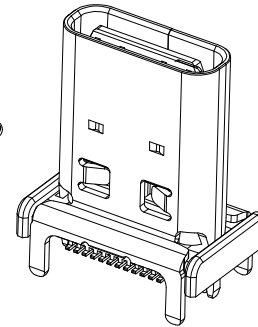
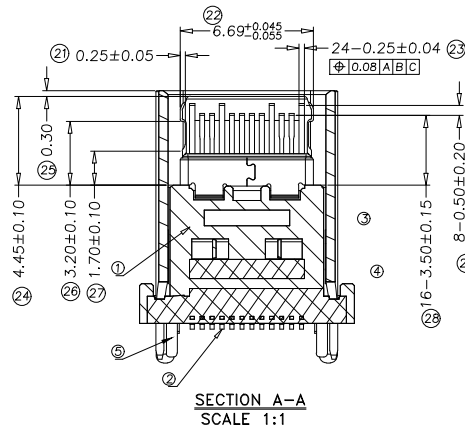
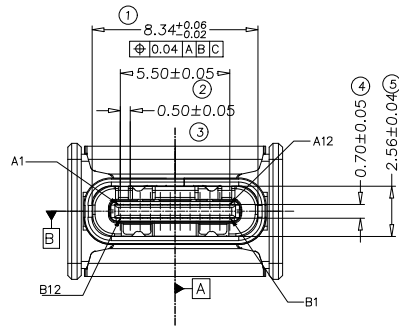




**RoHS Compliant HF**  
2013/95/EC

REV.	ECN.NO.	MODIFY.CONTENT	DATE
A0		NEW	2018/09/23
A1		变更定位柱结构	22.06.22



- NOTE:
- MATERIAL SPECIFICATION:
    - 1-HOUSING: HIGH TEMPERATURE RESISTANT PLASTIC, WITH 30% GLASS FILLED, UL94 V-0 BLACK.
    - 1-2-CONTACTS: COPPER ALLOY
    - 1-3-EMI SPRING: STAINLESS STEEL
    - 1-4-FRONT SHELL: STAINLESS STEEL
    - 1-5-MIDDLE BLADE: STAINLESS STEEL
  - PLATING SPECIFICATION:
    - 2-1-CONTACTS:
      - Ni 30u" MIN. UNDER PLATED OVER ALL.
      - 1-30u" Au PLATED ON THE FUNCTIONAL AREA OF CONTACT. TIN PLATED ON SOLDER AREA.
    - 2-2-EMI SPRING: CLEANING ONLY
    - 2-3-FRONT SHELL:
      - Ni 50u" MIN. UNDER PLATED OVER ALL.
    - 2-4-MIDDLE BLADE:
      - Ni 50u" MIN. UNDER PLATED OVER ALL.
  - MECHANICAL PERFORMANCE,
    - 3-1-INSERTION FORCE: 0.5~2.0kgf.
    - 3-2-REMOVAL FORCE: 0.8kgf~2.0kgf.
    - 3-3-DURABILITY: 10000 CYCLES.
  - ELECTRICAL PERFORMANCE,
    - 4-1. CURRENT RATING: 5.0A VOLTAGE RATING: 5.0V
    - 4-2. LLCR:
      - VBUS & GND PINS AND OTHER PINS: 40mA/PIN MAX.
      - SHIELD: 50mA/MAX.
      - LLCR MAX. CHANGE OF ALL PINS: 10mA
    - 4-3-INSULATION RESISTANCE: 100MΩ MIN
    - 4-4-DIELECTRIC WITHSTAND VOLTAGE: AC 100V FOR 1 MINUTE.
  - ENVIRONMENTAL PERFORMANCE:
    - OPERATING TEMPERATURE: -25°C~+85°C.
  - IR REFLOW:
    - THE PEAK TEMPERATURE ON THE BOARD SHALL BE MAINTAINED FOR 10 SECONDS AT 260°C.

PART NO:

I-U4 24 120 A1-E  
 I: DATA TYPE  
 U4: USB TYPE C  
 24: 24Pin  
 120: 12.0mm HEIGHT  
 A1: SERIAL NUMBER  
 E: GOLD PLATED 5u"

GENERAL TOLERANCE	DWG NO.	LZA1809-002	APPD:	Scale	1:1
X.±0.35	x.'±5°	Title	CHKD:	UNIT	mm
.X±0.25	.x'±2°		DR:	Michael	
.XX±0.15	.xx'±1°	Part NO.	Date	2018/09/23	
.XXX±0.10	.xxx'±0.5°				
SHEET	1/3	东莞市铭标电子科技有限公司 Ming Biao Electronic Technology Co., Ltd.			