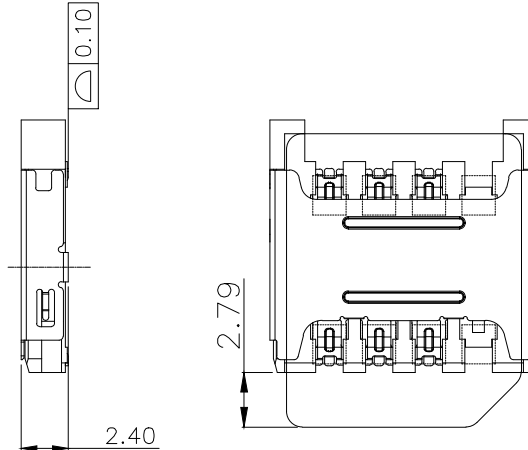
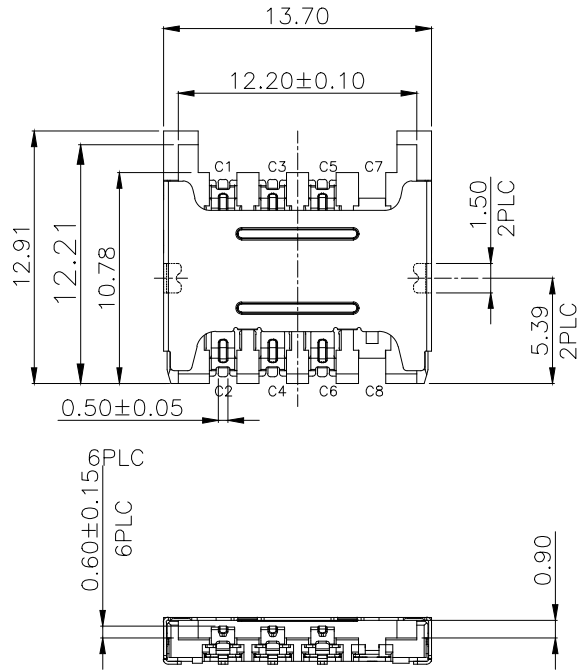


Customer drawings
Reference only

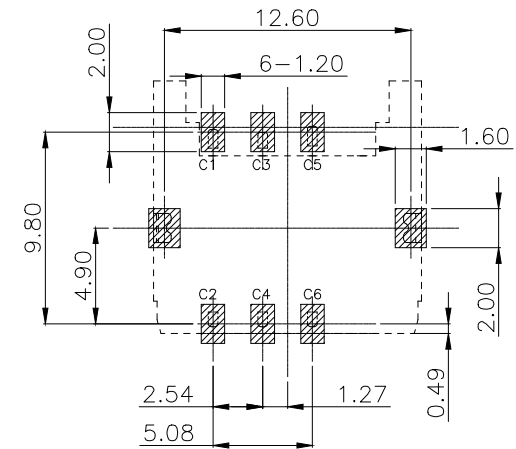
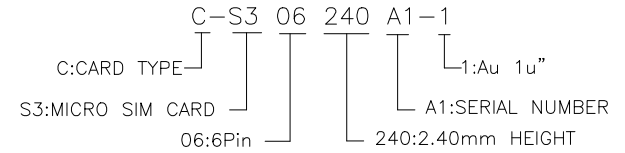
REV.	ECN.NO.	MODIFY.CONTENT	DATE
AO		NEW	2018/11/19

NOTES:

- MATERIAL:
HOUSING: LCP UL 94V-0 BALCK
CONTACT: C5210
SHELL: SUS201
CONTACT: Au 1u" PLATED ON CONTACT AREA;
GOLD FLASH PLATING ON SOLDER TAILS,
WITH ENTIRE CONTACT UNDERPLATED NICKEL
- SHELL: NICKEL UNDERPLATED OVERALL,
GOLD FLASH PLATED ON SOLDER TAILS
- PART NO.:

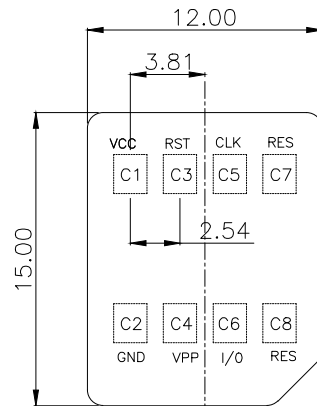


INSERT CARD



RECOMMENDED PCB LAYOUT(TOP VIEW)
GENERAL TOLERANCES: ±0.05

MICRO SIM CARD	
PIN NO.	DESCRIPTION
C1	VCC
C3	RST
C5	CLK
C7	
C2	GND
C4	VPP
C6	I/O
C8	



MICRO SIM CARD
芯片面朝下视图

GENERAL TOLERANCE		图号	LZA1704-008	设计	彭善平	比例	1:1
X.±0.20	x.'±5'	品名	MICRO SIM 2.40H 6PIN CARD CONN.	审核		单位	mm
.X±0.15	.x'±2'			核准		视角	
.XX±0.08	.xx'±1'	料号	C-S306240A1-1	日期	2017/10/14	版本	AO
.XXX±0.05	.xxx'±0.5'						
页数	1/1	东莞市铭标电子科技有限公司 Ming Biao Electronic Technology Co., Ltd.					