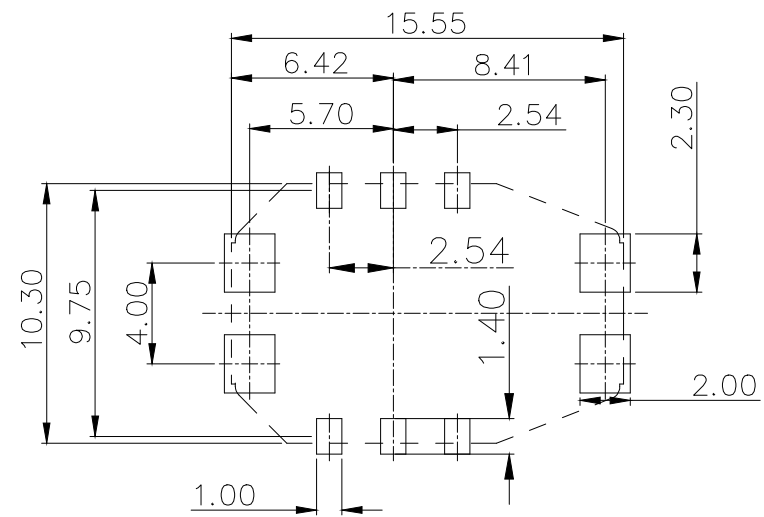
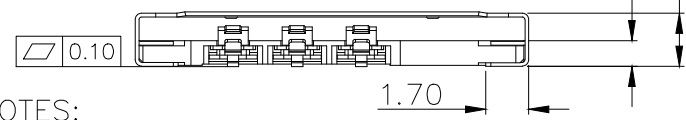
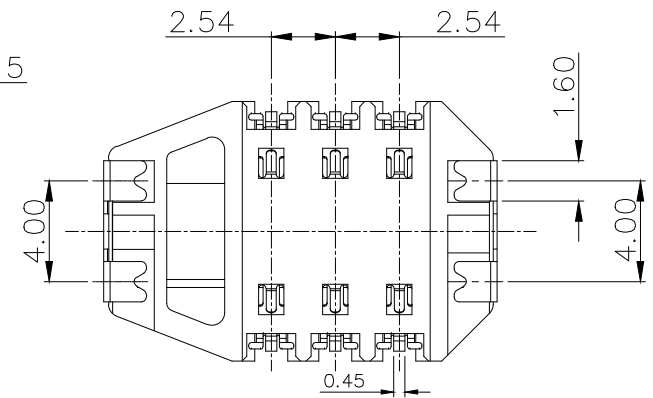
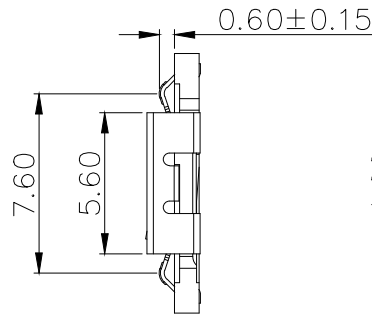
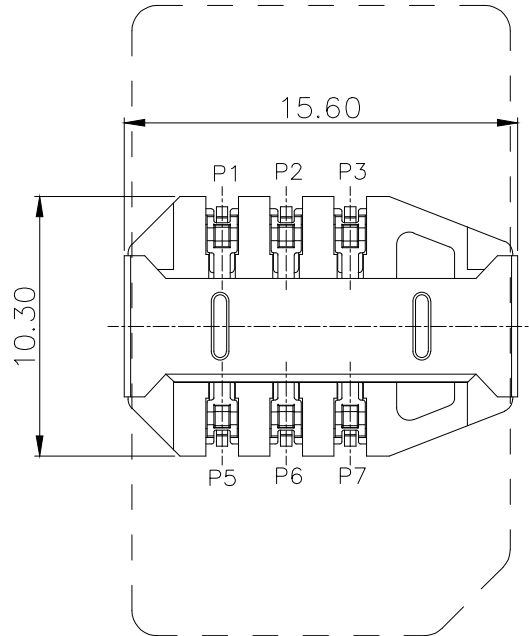


REV.	ECN.NO.	MODIFY.CONTENT	DATE
A0		NEW	2017/10/14



RECOMMENDED P.C.B LAYOUT
TOLERANCE ±0.05MM

NOTES:
1)Material:
Housing:HI-Temp plastic UL 94V-0
Contact:Copper Alloy
Shell:Stainless steel

2).PART NO.

C-S2 06 XXX A1-1
C: CARD TYPE 1: GOLD PLATED G/F
S2: MINI SIM CARD A1: SERIAL NUMBER
06: 6Pin XXX: HEIGHT SEE TABLE

SEE TABLE

C-S206270A1-1	2.70	1.60	H=2.7
C-S206240A1-1	2.40	1.30	H=2.4
PART NO.	DIM A	DIM B	NOTE

P/N	Pin NO.
Pin 1	VCC:PWR signal and GND
Pin 2	RST:Reset signal
Pin 3	CLK:Clocking signal
Pin 4	RESERVED
Pin 5	GND:PWR signal and GND
Pin 6	VPP:Programing Voltage
Pin 7	I/O:Serial date input/output
Pin 8	RESERVED

GENERAL TOLERANCE		DWG NO.	
X.±0.45	x.'±5°	TITLE	菱型 SIM CARD 6PIN 连桥式2.4-2.7H
.X±0.35	.x'±2°	Part NO.	SEE TABLE
.XX±0.25	.xx'±1°		
.XXX±0.15	.xxx'±0.5°		
SHEET	1/1		

APPD:	WIND	Scale	1:1
CHKD:		UNIT	mm
DR:	彭善平		
Date	2017/10/14		

东莞市铭标电子科技有限公司
Ming Biao Electronic Technology Co., Ltd.