

REV.	ECN.NO.	MODIFY.CONTENT	DATE
A0		NEW	2017/10/10
A1		更新料号	2018/12/19

NOTES:

1、Material:

Housing:HI-Temp plastic UL 94V-0
Contact:Copper Alloy

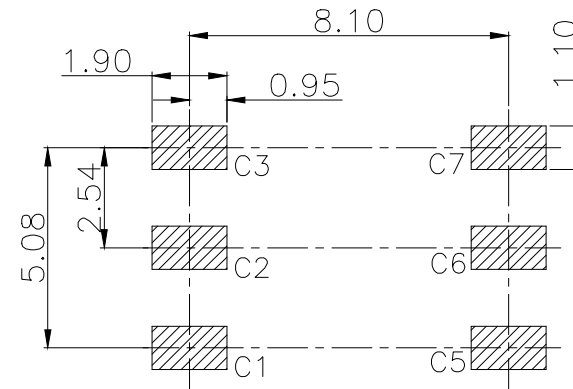
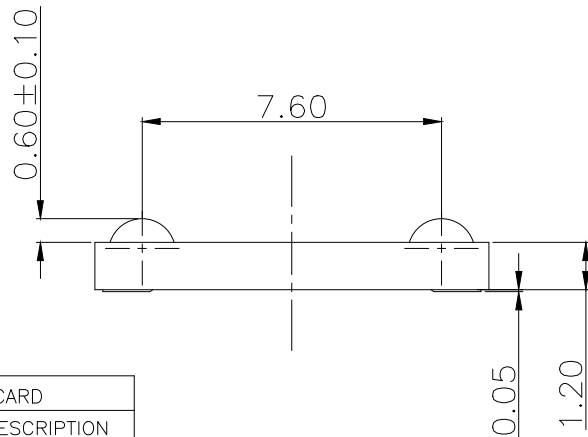
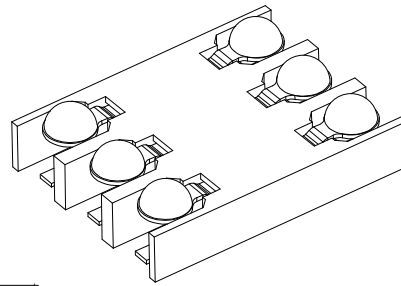
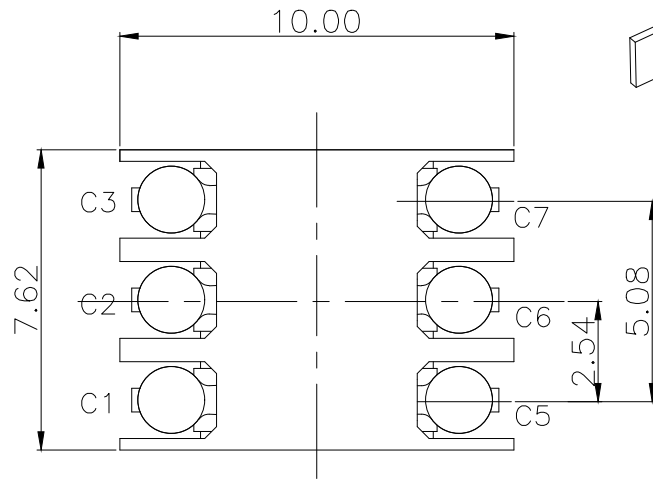
2、Finish :

CONTACT:G/F" Gold plated on conatct area;
G/F plated on solder tails, Base Nickel :30u"Min

3、Part number information:

C-S1 06 120 A1-1

C: CARD TYPE 1: GOLD PLATED G/F
S2: MINI SIM CARD A1: SERIAL NUMBER
06: 6Pin 120: 1.20 HEIGHT



Recommended P.C.B Layout
(Tolerance= 0.05)

SIM CARD	
PIN NO.	DESCRIPTION
C1	VCC
C2	RST
C3	CLK
C5	GND
C6	VPP
C7	I/O

GENERAL TOLERANCE		DWG NO.	APPD:	WIND	Scale	1:1
X.±0.45	x.'±5°	Title	CHKD:	DR:	UNIT	mm
.X±0.35	.x'±2°					
.XX±0.25	.xx'±1°	Part NO.	Date	2017/10/10		
.XXX±0.15	.xxx'±0.5°	东莞市铭标电子科技有限公司 Ming Biao Electronic Technology Co., Ltd.				
SHEET	1/1					