

REV.	ECN.NO.	MODIFY.CONTENT	DATE
A		NEW	2016/03/13

**MATERIALS**

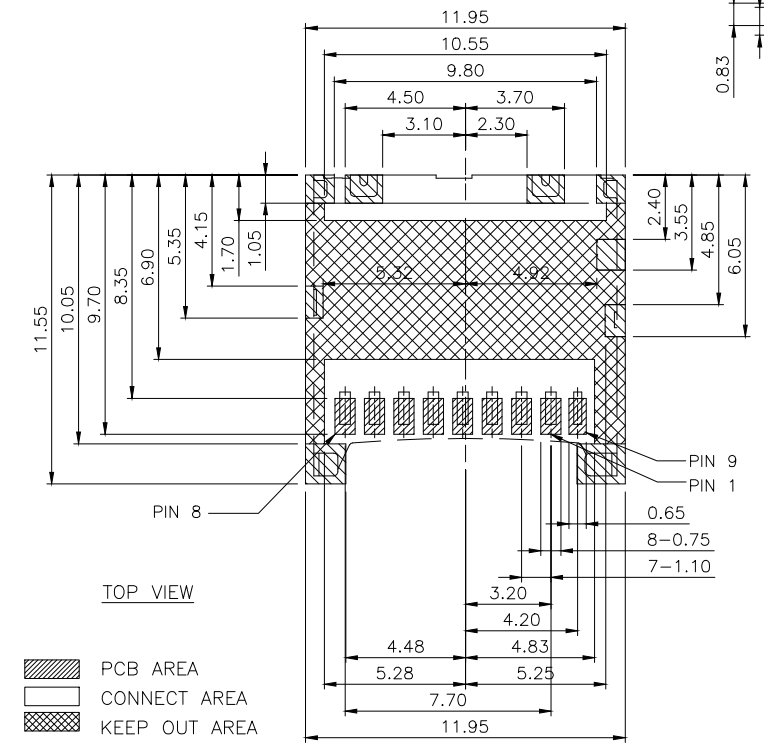
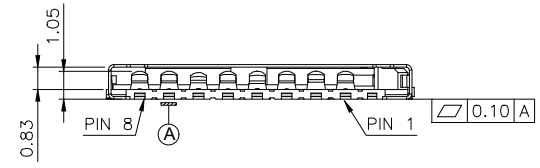
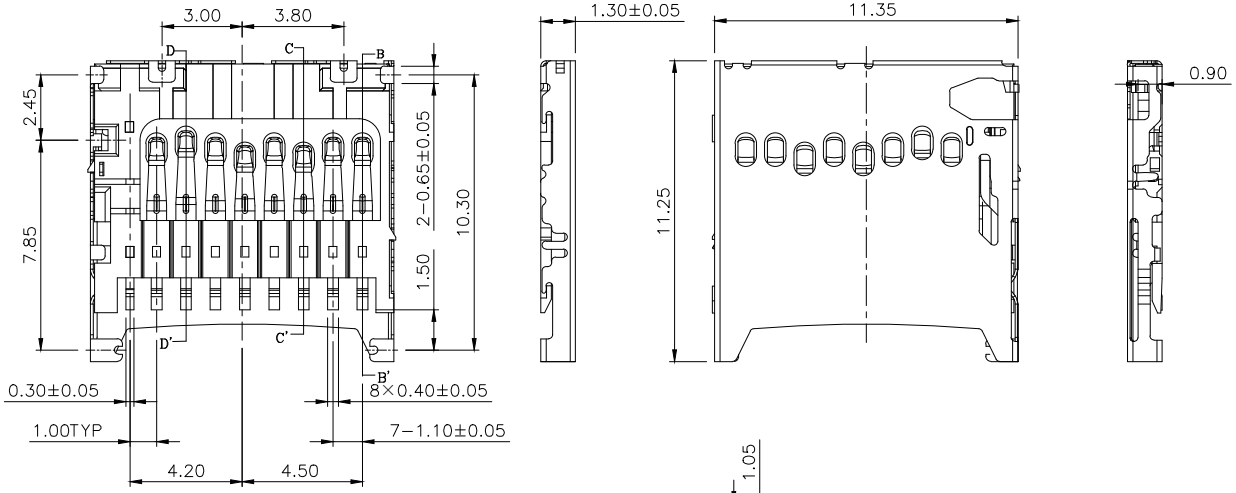
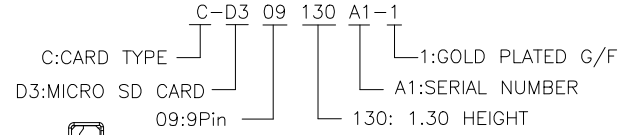
1. HOUSING :THERMOPLASTIC (UL 94V-0).
  2. TERMINAL : COPPER ALLOY, PLATING SEE TABLE.
  3. SHELL : SUS.
- FINISH :
- CONTACT: Au 1u" PLATED ON CONTACT AREA ;  
GOLD FLASH PLATING ON SOLDER TAILS . WITH  
ENTIRE CONTACT UNDERPLATED 50u"Min . NICKEL
  - SHELL: 30u"Min. NICKEL UNDERPLATED OVERALL ,  
GOLD FLASH PLATED ON SOLDER TAILS

**SPECIFICATION**

1. CURRENT RATING : 0.5 A. MAX.
2. DIELECTRIC WITHSTANDING VOLTAGE :  
500V AC R.M.S. FOR 1 MINUTE.
3. INSULATION RESISTANCE : 1000MΩ MIN.AT 500V DC.
4. CONTACT RESISTANCE : 100mΩ MAX.
5. OPERATING LIFE: 3000 CYCLES.
6. OPERATING TEMPERATURE : -40°C TO +85°C.
7. CIRCUIT DIAGRAM FOR CARD DETECT SWITCH  
CARD DETECT SWITCH (PIN 9)



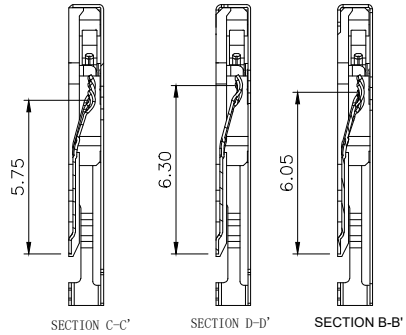
**PART NUMBER INFORMATION :**



PCB AREA  
 CONNECT AREA  
 KEEP OUT AREA

RECOMMEND PCB LAYOUT  
TOLERANCE: ±0.05

MICRO SD	
PIN1	DAT2
PIN2	CD/DAT3
PIN3	CMD
PIN4	VDD
PIN5	CLK
PIN6	VSS
PIN7	DAT0
PIN8	DAT1
PIN9	CD



GENERAL TOLERANCE		DWG NO.	APPD:	WIND	Scale	1:1
X.±0.45	x.'±5°	Title	CHKD:		UNIT	mm
.X±0.35	.x'±2°		DR:			
.XX±0.25	.xx'±1°		Date	2017/03/13		
.XXX±0.15	.xxx'±0.5°	Part NO.	C-D309130A1-1			
SHEET	1/1	东莞市铭标电子科技有限公司 Ming Biao Electronic Technology Co., Ltd.				