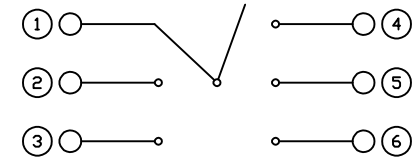


本公司智慧财产未经许可不得复制
ming biao copyright, may not be used without permission from ming biao.

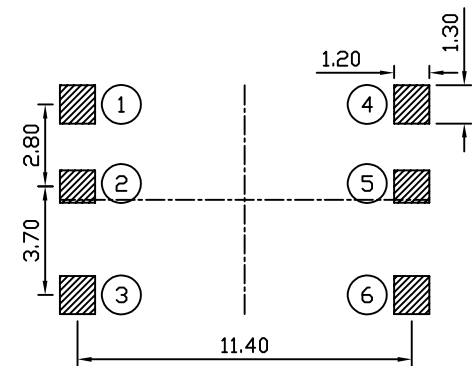
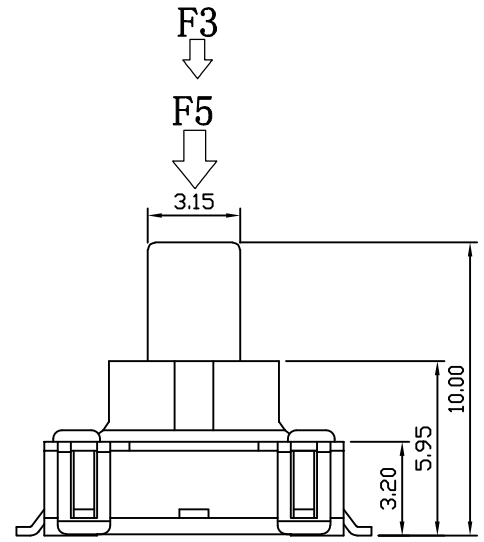
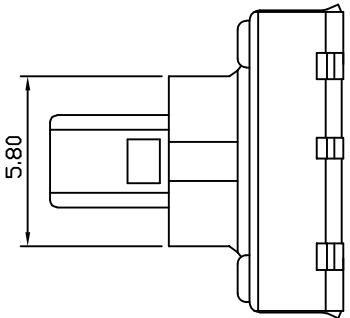
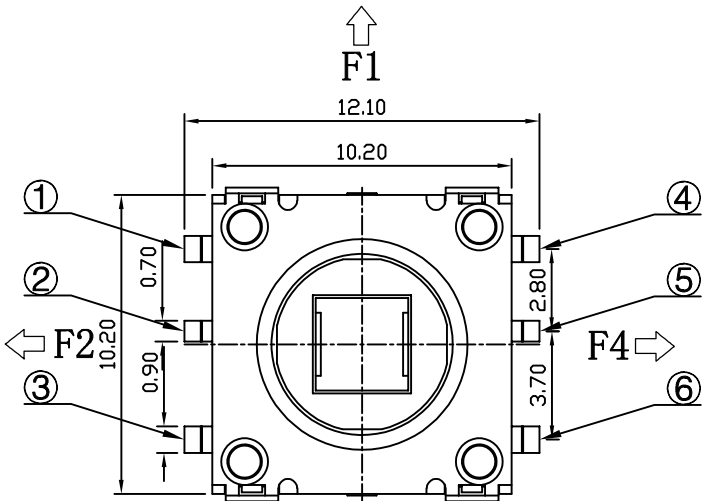
	1	2	3	4	5	6
F1	○			○		
F2	○	○				
F3	○					○
F4	○				○	
F5	○		○			



CIRCUIT

SPECIFICATIONS:

Operating temperature range: -25°C to +70°C
 Rating: 100mA, 12V DC Max
 Insulation resistance: 100MΩ min. 100V DC
 Dielectric strength: 100V AC for 1min
 Contact resistance: 100mΩ Max
 Life: 50,000 Cycles
 Operating force: 250 ± 50gf
 4-150 ± 50gf



		东莞市铭标电子科技有限公司 Ming Biao Electronic Technology Co., Ltd.				
TOLERANCE UNLESS OTHERWISE STATED				DESIGN WYJ	DATE 2024.03.13	TITLE Multi Control Devices
X.X	±0.20	SIZE	A4	CHKD	DATE	MODEL MVD02-100C-R
X.XX	±0.15	REV	A	APPD	DATE	SHEET 1/3
X.XXX	±0.10	UNIT	mm			PRINT DATE 2024.03.13
<	±2°	SCALE	4:1			