



东莞市铭标电子科技有限公司

MINGBIAO ELECTRONICS CO., LTD

# 承 认 书

APPROVE SHEET

客户名称 Customer: \_\_\_\_\_

品 名 Part name: Toggle switch

型 号 Part Number: QVCT08

Design/Date	Check/Date	Review/Date	Approval/Date

## 贵公司承认印 Approval signatures

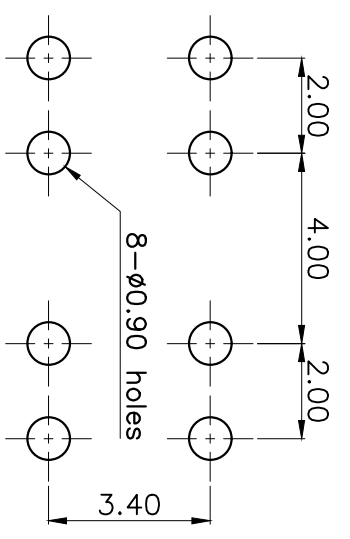
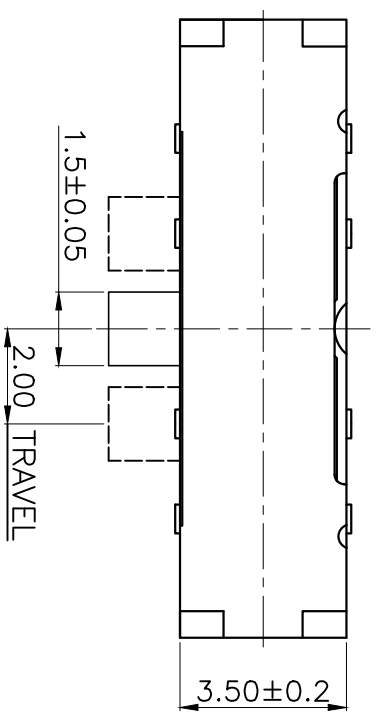
Approval/Date	Remark

Send us a copy of reference , thank you! 日期 Date:

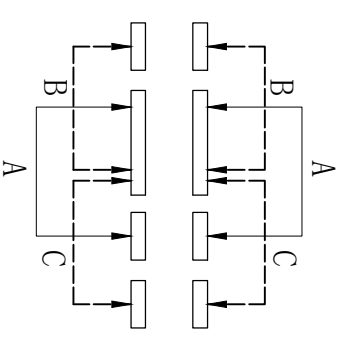
**地址:** 广东省东莞市长安镇沙头社区猫山东路 101 号

**Add:** Dongguan City, Guangdong Province, Chang'an Town, Sand head community The cat shandong road, No. 101

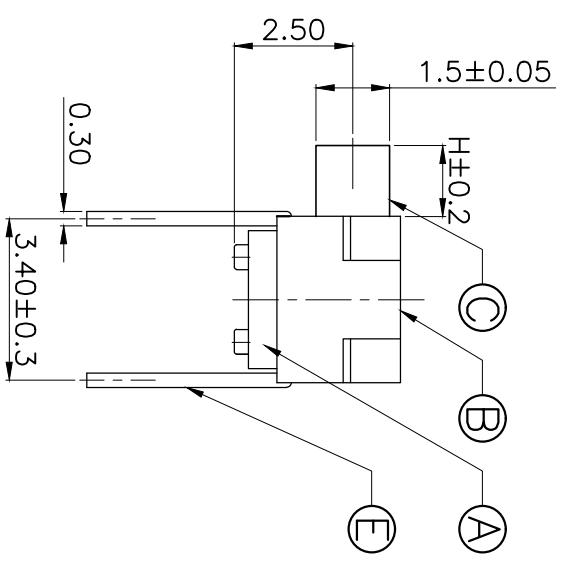
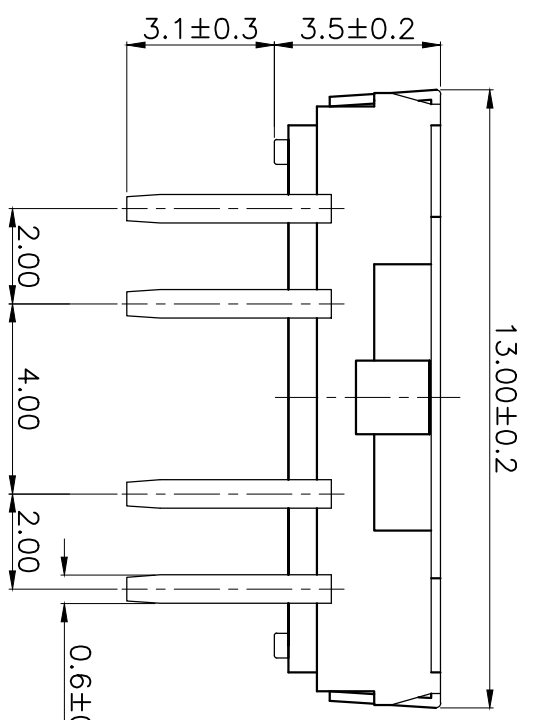
**Ntel:** 0769-81581583



PCB Layout(Pattern side)



Circuit Diagram



Code	H	Operating force
A1	2.0	180 ± 50gf
A2	3.0	
A3	4.0	

NO.	Name	Number	Qty	Material	Remarks
Ⓔ	Terminal	/	8	Brass	Silver
Ⓓ	Contact reed	/	2	Beryllium copper	Silver covered
Ⓒ	Handle	/	1	PA46	Black
Ⓑ	Cover	/	1	SUS	Silver
Ⓐ	Base	/	1	LCP	gray

东莞市铭标电子科技有限公司

design	date	name
design		
Review		TOGGLE SWITCH
Approved		0VCT08

angle	±2°
10~30	±0.30
5~10	±0.20
~ 5	±0.10

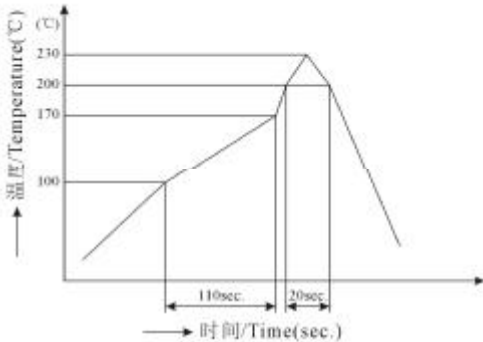
  

Drawing number:	1:1
modify	
Review	
Approved	
Tolerance not specified	

		文件编号	
		发布日期	2017年2月15日
SPECIFICATION 规格书		第2版	1 of 2
产品名称: 拨动开关 产品型号: QVCT08			
DRAW 制定	韦标骥	APPD. 审批	朱明华
1. RATING(额定值): DC 12V 100mA			
2. ELECTRICAL CHARACTERISTICS(电气性能规格):			
ITEM 项目		TEST CONDITIONS 测试条件	PERFORMANCE 规格
2.1	CONTACT RESISTANCE 接触电阻	MEASURED AT SMALL CURRENT(100mA OR LESS) 在微小电流(100mA)以下测试.	100mΩ MAX. 100 毫欧以下.
2.2	INSULATION RESISTANCE 绝缘电阻	APPLY A VOLTAGE OF 100V DC FOR 1 MIN. TO FOLLOWING PORTIONS AFTER WHICH MEASUREMENT SHALL BE MADE. 1) BETWEEN BODY AND CONDUCTOR. 2) BETWEEN CONDUCTORS NOT TO BE CONTACT. 输入 100V DC 电压 1 分钟, 按以下接触方法测试: 1) 接触端子之间; 2) 胶座体与排脚之间.	50MΩ MIN. 50 兆欧以上.
2.3	DIELECTRIC STRENGTH 耐电压	AC 250V (50-60Hz) FOR 1 MIN TRIP CURRENT: 0.5mA 1) BETWEEN TERMINALS. 2) BETWEEN INDIVIDUAL TERMINALS AND FRAME. 输入 AC 250V(50-60Hz)电压, 1 分钟感度电流为 0.5mA, 按以下接触方法测试: 1) 排脚相互之间; 2) 排脚与外壳之间.	WITHOUT DAMAGE TO PARTS ARCING OR BREAKDOWN ETC. 没有绝缘破坏等异常.
3. MECHANICAL CHARACTERISTICS(机械性能规格)			
ITEM 项目		TEST CONDITIONS 测试条件	PERFORMANCE 规格
3.1	OPERATING FORCE 动作力	侧面推动	推动力度: 180gf ± 50gf
3.2	TERMINAL STRENGTH 端子强度	A STATIC LOAD OF (500gf) SHALL BE APPLIED TO THE TIP OF THE TERMINAL FOR 1 MIN IN ANY DIRECTION. 在任意一个方向的前端加上(500gf)力度测试, 时间为 1 分钟.	ELECTRICAL CHARACTERISTICS SHALL BE SATISFIED WITHOUT DAMAGE OR EXCESSIVE LOOSENESS OF ACTUATOR 在端子中没有裂开, 松动等异常, 满足于机械, 电器性能.
3.3	STANDARD ATMOSPHEIC CONDITIONS 测试标准状态	UNLESS OTHERWISE SPECIFIED. THE STANDARD RANGE OF ATMOSPHERIC CONDITIONS FOR MAKING MEASUREMENTS AND TESTS ARE AS FOLLOWS: 1) AMBIENT TEMPERATURE: 5°C TO 35°C 2) RELATIVE HUMIDITY: 45% TO 85% 3) AIR PRESSURE: 80Kpa~106Kpa. 在没有指定的情况下测试温度,湿度,气压如下: 1) 温度为 5°C~35°C; 2) 湿度为 45%~85%; 3) 气压为 80Kpa~106Kpa.	

5

5

		文件编号	
		发布日期	2012年10月10日
SPECIFICATION 规格书		第2版	2 of 2
3.4	PRACTICAL TEMPERATURE RANGE 使用温度范围	-10°C~+50°C. 在-10°C~+50°C温度内使用.	
4. DURABILITY(耐久性):			
ITEM 项目		TEST CONDITIONS 测试条件	PERFORMANCE 规格
4.1	LIFE TEST 寿命试验	WITHOUTLOAD: AN ACTUATOR SHALL BE SUBJECT TO 7,000 - 10,000 CYCLES AT A SPEED OF 30 CYCLES FOR 1 MIN. 无负荷: 操作者以每分钟 30 次的频率作 7,000-10,000 次之无负荷测试.	1) CONTACT RESISTANCE SHALL BE 500mΩ MAX. 2) MECHANICAL AND ELECTRICAL CHARACTERISTICS SHALL BE SATISFIED. 1) 接触电阻不能超过于 500mΩ 2) 其它满足于机械, 电气性能.
4.2	HEAT TEST 耐热试验	THE SWITCH SHALL BE STORED AT A TEMPERATURE OF 85±2°C FOR 96 HOURS. AND THEN IT SHALL BE SUBJECTED TO THE CONTROLLED RECOVERY CONDITIONS FOR 1 HOUR AFTER WHICH MEASUREMENT SHALL BE MADE. 放置在温度 85±2°C 中 96 小时后,再放置正常室温中 1 小时后测定.	THERE SHALL BE NO DAMAGE ON APPEARANCE. MECHANICAL AND ELECTRICAL CHARACTERISTICS SHALL BE SATISFIED. 外观无异常, 满足于机械, 电气性能.
4.3	COLD TEST 耐冷试验	THE SWITCH SHALL BE STORED AT A TEMPERATURE OF -25±3°C FOR 96 HOURS. AND THEN IT SHALL BE SUBJECTED TO THE CONTROLLED RECOVERY CONDITIONS FOR 1 HOUR AFTER WHICH MEASUREMENT SHALL BE MADE. 放置在温度 -25±3°C 中 96 小时后,再放置正常室温中 1 小时后测定.	THERE SHALL BE NO DEFORMATION OR CRACKS IN MOLDED PART. 外观无异常, 满足于机械, 电气性能.
4.4	HUMIDITY TEST 潮湿试验	THE SWITCH SHALL BE STORED AT A TEMPERATURE OF 40±2°C AND A HUMIDITY OF 80% TO 85% FOR 96 HOURS. THEN THE SWITCH SHALL BE MAINTAINED AT STANDARD ATMOSPHERIC CONDITIONS FOR 1 HOUR FOR OTHER PROCEDURES BE MADE. 放置在 40±2°C 相对湿度为 80~85% 环境中 96 小时后, 再将样品放在正常环境中 1 小时后进行测定.	外观无异常, 满足于机械, 电气性能.
4.5	SOLDERING CONDITIONS 焊锡条件	HAND SOLDERING 手焊: 1) DEVICE 工具: SOLDER IRON 电烙铁. A. 350°C Max. 3sec Max. B. 270°C Max. 5sec Max. 2) REFLOW SOLDERING 回流焊: 250 °C  	THERE SHALL BE NO DEFORMATION OR CRACKS IN MOLDED PART. 外观无异常, 满足于机械, 电气性能.