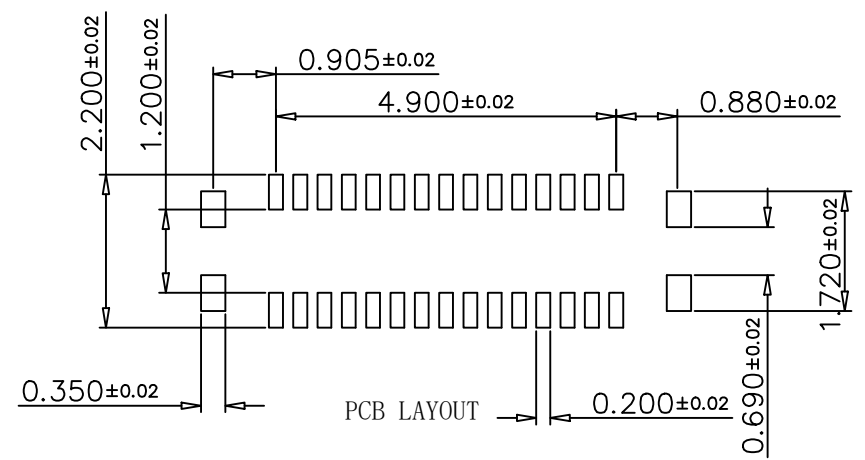
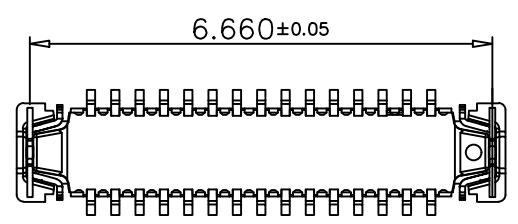
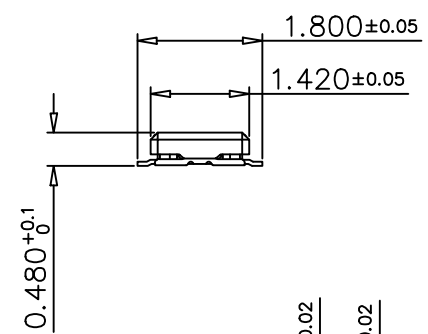
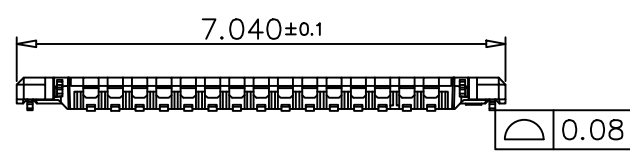
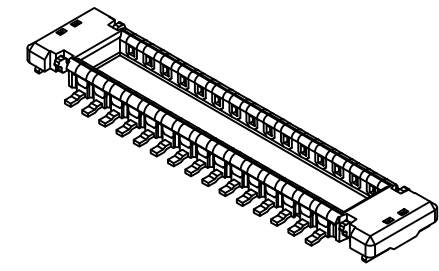
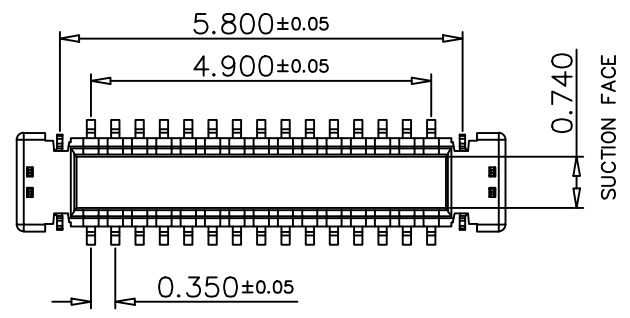


版本	变更日期	变更内容	责任人	备注



SPECIFICATION:

1. CURRENT RATING: 0.5A/CONTACT(MAX.5A at total contact)
2. INSULATION RESISTANCE: 1000M Ω/MIN
3. WITHSTANDING VOLTAGE: 250V AC/1 minute
4. OPERATING TEMPERATURE: -55°C~85°C
5. Contact resistance: 90M Ω MAX
6. PART NUMBER

X,±	X°,±	UNITS mm	NAME<INTENDED USE>	东莞市铭标电子科技有限公司			
.X± 0.05	.X°± 1°	MAT'L	PART NO.<INTENDED USE>	TITLE:			
.XX± 0.02	.XX°± 0.5°	N/A		I/M			
.XXX± 0.015	.XXX°±	FINISH	APPD:	DWG NO.:			
THE GENERATED DRAWING IS BY ACAD, PROE OR IDEAS.DO NOT CHANGE BY HAND.			Q'TY	MIB-023M030			
			N/A	CHKD:			
			N/A	DR:			
				SCALE	SHEET	REV.	
				1:1	1/1	A	