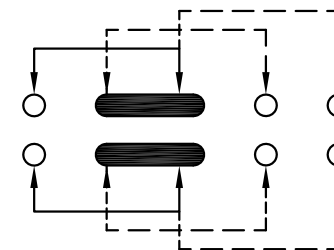
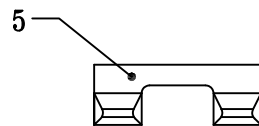
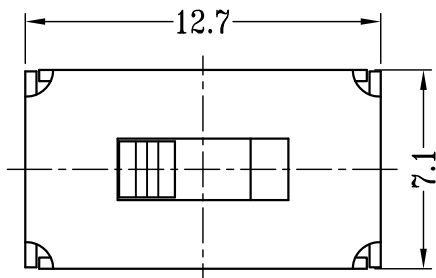
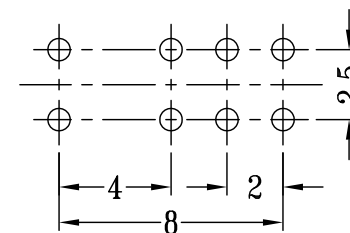
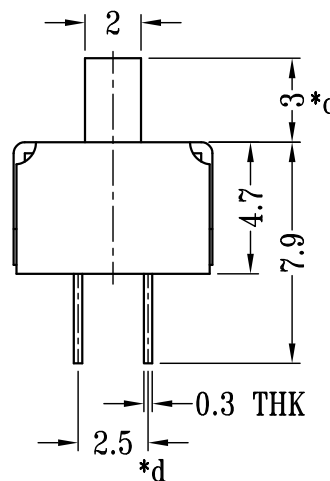
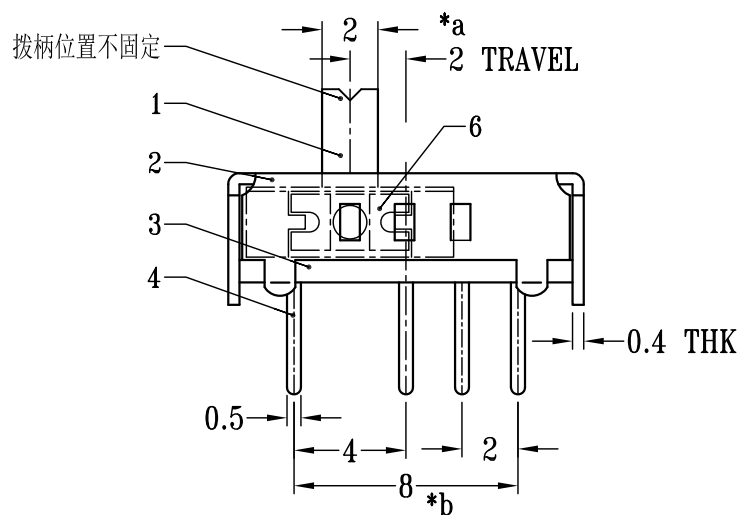


CAD FILE:



SCHEMATIC (SHORTING)



P.C.B LAYOUT  
BOTTOM VIEW

注：“\*”表示关键尺寸(4个)

NO.	PARTS	MATERIALS	Q'TY	FINISH	TOLERANCE UNLESS SPECIFIED			
8								
7								
6	SPRING PLATE	PBS STRIP	1	NATURAL	WITHIN 1.5mm : ±0.1mm	A	2019-9-22	初版
5	CONTACT CLIP	PBS STRIP	2	Ag PLATED	OVER 1.5mm : ±0.2mm	ISSUE	DATE	王远杰
4	TERMINAL	BRASS STRIP	8	Ag PLATED	TITLE : VERTICAL SLIDE SWITCH			UNIT : mm
3	BASE	PHENOLIC RESIN	1	NATURAL	MODEL: SS23D07VG3			DRWG NO.: HQ-DR-SS23D07VG3-00
2	FRAME	STEEL STRIP	1	Ni PLATED	SCALE: 7:2			DWN. 王远杰 2019-9-22
1	KNOB	POM	1	BLACK	东莞市铭标电子科技有限公司 Ming Mark Electronic Technology Co., Ltd.			CHK'D
								APPD.
						RoHS		