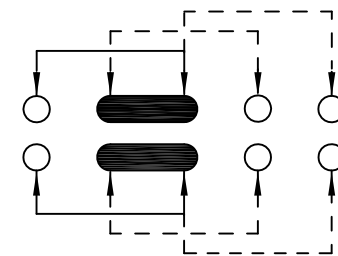
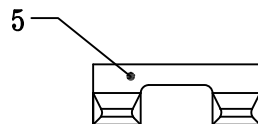
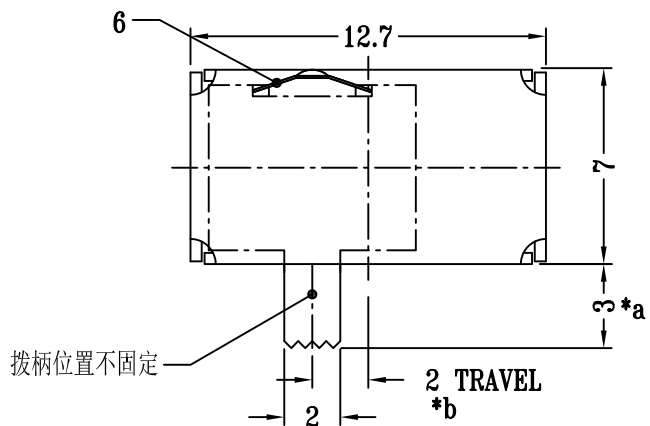
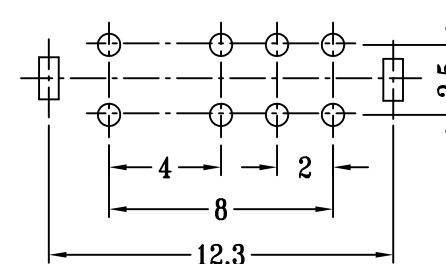
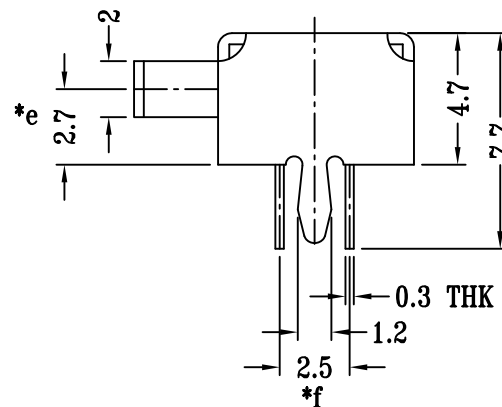
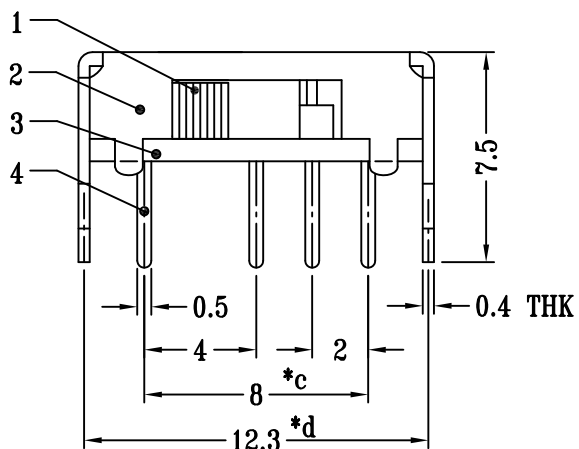


CAD FILE:



SCHEMATIC (SHORTING)



P.C.B LAYOUT
BOTTOM VIEW

注：“*”表示关键尺寸(6个)

NO.	PARTS	MATERIALS	Q'TY	FINISH	TOLERANCE UNLESS SPECIFIED			
8								
7								
6	SPRING PLATE	PBS STRIP	1	NATURAL	WITHIN 1.5mm : ±0.1mm	A	2019-8-7	初版
5	CONTACT CLIP	PBS C5210R-EH	2	Ag CLAD	OVER 1.5mm : ±0.2mm	ISSUE	DATE	王远杰
4	TERMINAL	BRASS STRIP	8	Ag PLATED	TITLE : HORIZONTAL SLIDE SWITCH			UNITS : mm
3	BASE	PHENOLIC RESIN	1	NATURAL	MODEL: SK23D07G3-NF-Cs			DRWG NO.: HQ-DR-SK23D07G3-00
2	FRAME	STEEL STRIP	1	Ni PLATED	SCALE: 7:2			DWN. 王远杰 2019-8-7
1	KNOB	PA66	1	BLACK	东莞市铭标电子科技有限公司 Ming Mark Electronic Technology Co., Ltd.			CHK'D
								APPD. 朱明华 2019-8-7
					RoHS			