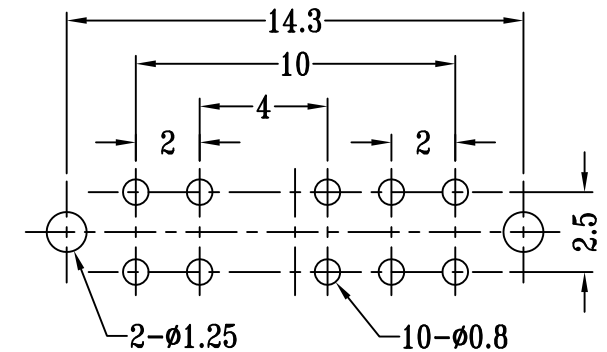
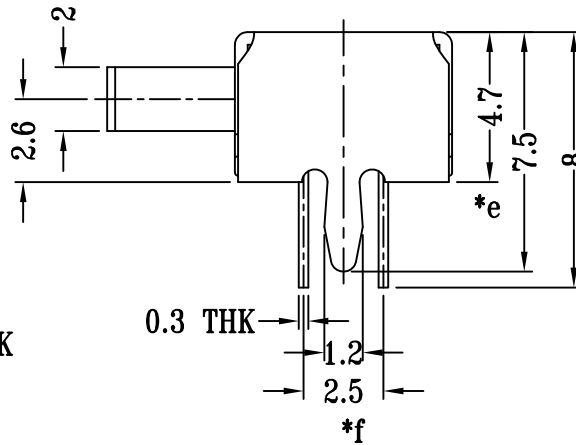
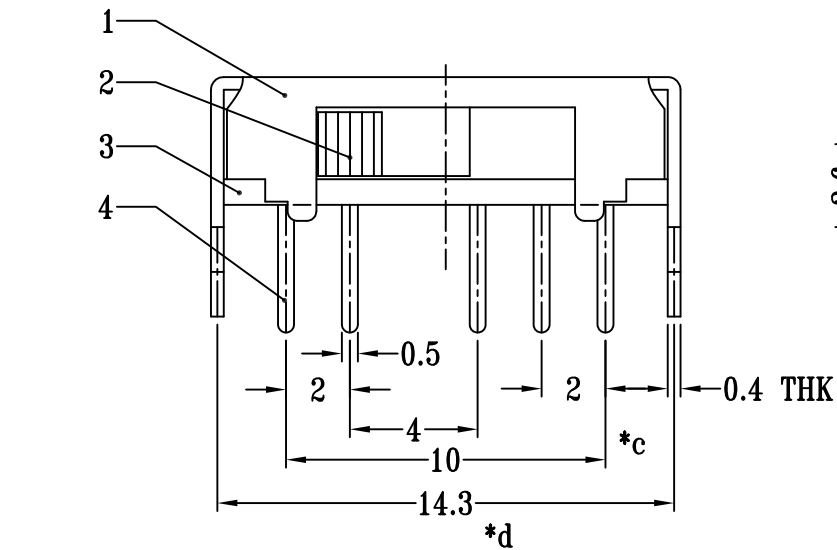



SCHEMATIC (SHORTING)



**P.C.B LAYOUT
BOTTOM VIEW**

注：“*”表示关键尺寸(5个).

NO.	PARTS	MATERIALS	Q'TY		TOLERANCE UNLESS SPECIFIED				
8									
7									
6	SPRING PLATE	PBS STRIP	1	NATURAL	WITHIN 1.5mm : ±0.1mm	A	2016-8-17	初版	王远杰
5	CONTACT CLIP	PBS C5210R-EH	2	Ag CLAD	OVER 1.5mm : ±0.2mm	ISSUE	DATE	DESCRIPTIONS OF REVISION	APPD.
4	TERMINAL	BRASS STRIP	10	Ag PLATED	TITLE : HORIZONTAL SLIDE SWITCH		UNIT : mm	DRWG NO.: HQ-DR-SK24D07G4-00	
3	BASE	PHENOLIC RESIN	1	NATURAL	MODEL: SK24D07G4-NF-Cs		SCALE: 4 : 1	DWN.	王远杰
2	KNOB	PA66	1	BLACK	 东莞市铭标电子科技有限公司 Ming Mark Electronic Technology Co., Ltd.		RoHS APPD.		2016-8-17
1	FRAME	STEEL STRIP	1	Ni PLATED					2016-8-17