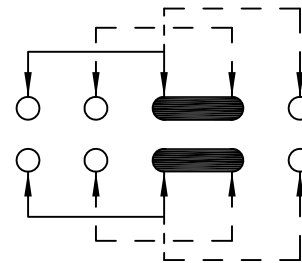
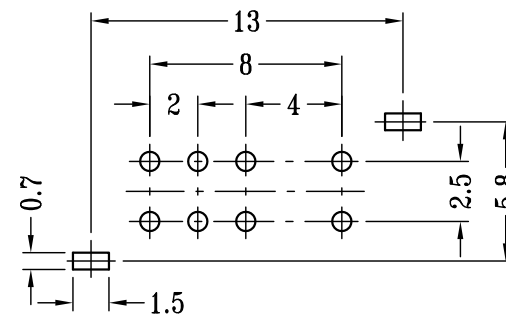
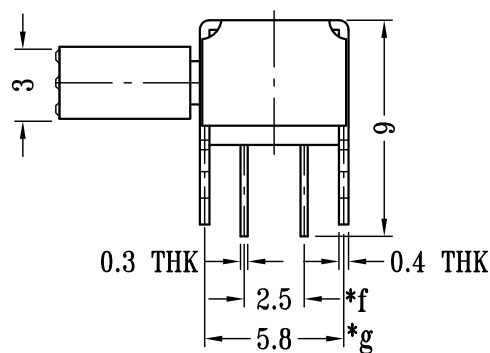
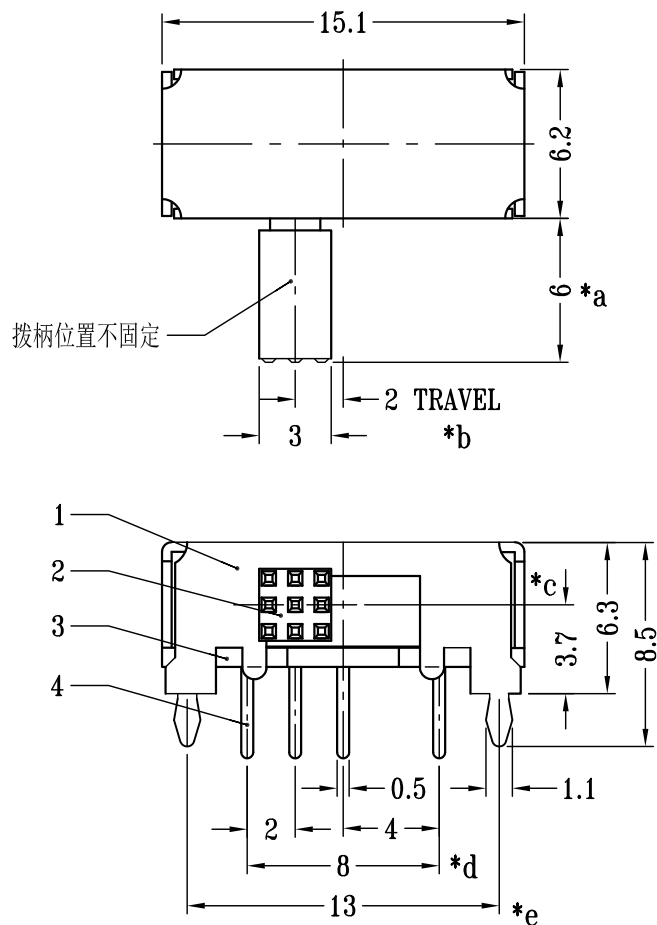


CAD FILE:



SCHEMATIC (SHORTING)

P.C.B LAYOUT
BOTTOM VIEW

注：“*”表示关键尺寸(7个).

| NO. | PARTS | MATERIALS | Q'TY | FINISH | TOLERANCE UNLESS SPECIFIED | | | | |
|-----|--------------|----------------|------|-----------|--|-------|------------|-------------------------------|-----|
| 8 | | | | | | | | | |
| 7 | STEEL BALL | STEEL | 1 | NATURAL | | | | | |
| 6 | SPRING | WIRE | 1 | NATURAL | | | | | |
| 5 | CONTACT CLIP | PBS C5210R-EH | 2 | Ag CLAD | WITHIN 1.5mm : ±0.1mm OVER 1.5mm : ±0.2mm | A | 2017-8-14 | 初版 | |
| 4 | TERMINAL | BRASS STRIP | 8 | Ag PLATED | | ISSUE | DATE | 王远杰 | |
| 3 | BASE | PHENOLIC RESIN | 1 | NATURAL | TITLE : HORIZONTAL SLIDE SWITCH | | UNIT : mm | DRWG NO.: HQ-DR-SK23D06PG6-00 | |
| 2 | KNOB | POM | 1 | BLACK | MODEL: SK23D06PG6-Cs-B | | SCALE: 3:1 | DWN. | 王远杰 |
| 1 | FRAME | STEEL STRIP | 1 | Ni PLATED | 东莞市铭标电子科技有限公司 Ming Mark Electronic Technology Co., Ltd. | | RoHS | CHK'D | 朱明华 |
| | | | | | | | | APPD. | |