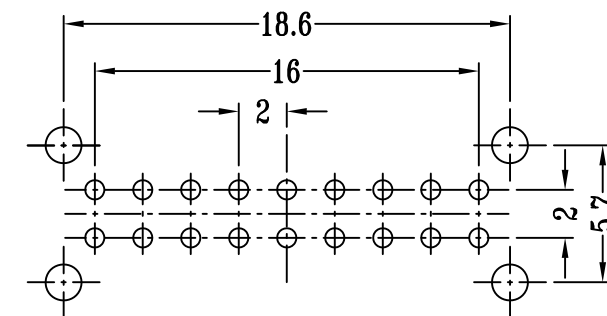
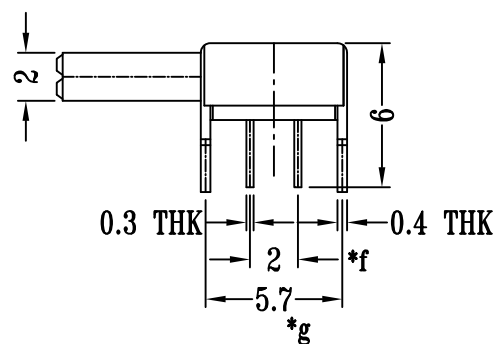
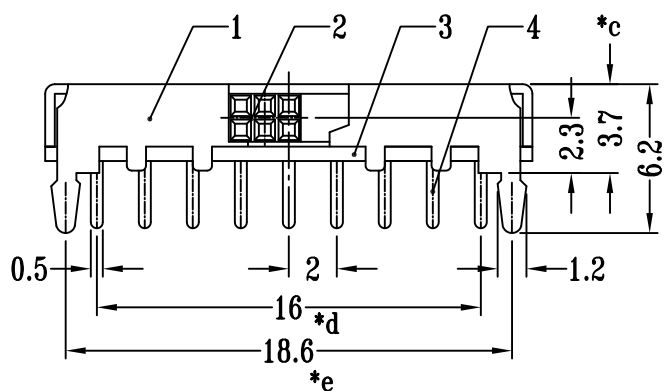
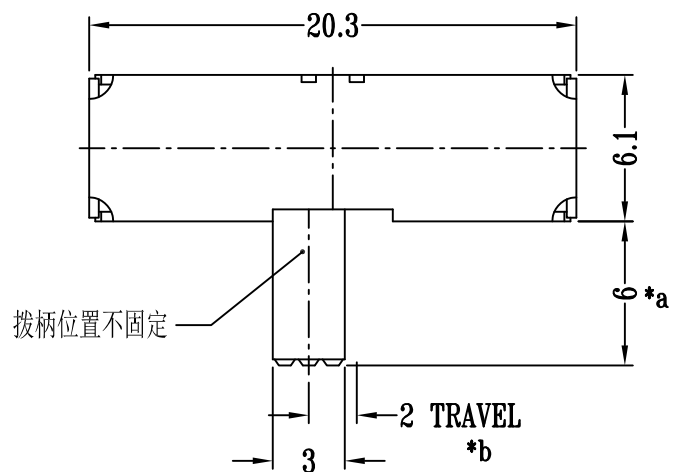


CAD FILE:



SCHEMATIC (NON-SHORTING)

P.C.B LAYOUT  
BOTTOM VIEW

注：“\*”表示关键尺寸（7个）

NO.	PARTS	MATERIALS	Q'TY	FINISH	TOLERANCE UNLESS SPECIFIED			
8								
7								
6	SPRING PLATE	SUS	1	NATURAL	WITHIN 1.5mm : ±0.1mm	A	2019-9-17	初版
5	CONTACT CLIP	PBS C5210R-EH	6	Ag CLAD	OVER 1.5mm : ±0.2mm	ISSUE	DATE	王远杰
4	TERMINAL	BRASS STRIP	18	Ag PLATED	TITLE : HORIZONTAL SLIDE SWITCH			UNIT : mm
3	BASE	PHENOLIC RESIN	1	NATURAL	MODEL: SK62D01PG6-NF			DRWG NO.: HQ-DR-SK62D01PG6-00
2	KNOB	PA66	1	BLACK	SCALE: 3:1	DWN.	王远杰	2019-9-17
1	FRAME	STEEL STRIP	1	Ni PLATED	东莞市铭标电子科技有限公司 Ming Mark Electronic Technology Co., Ltd.			CHK'D
								APPD.
					RoHS			