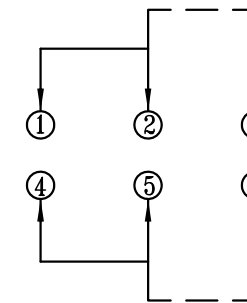
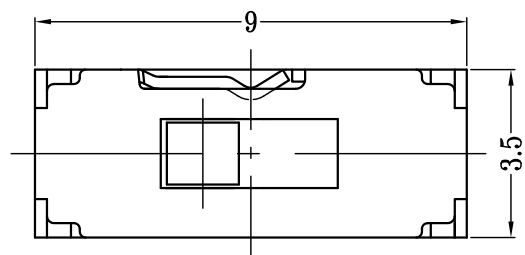
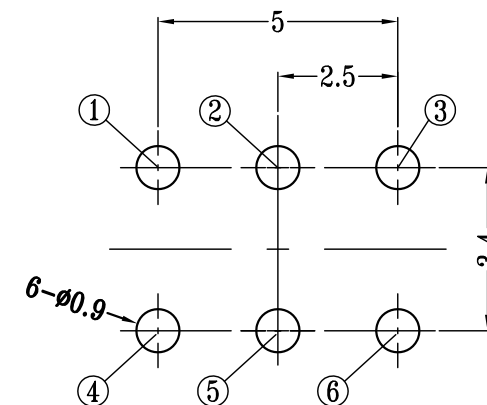
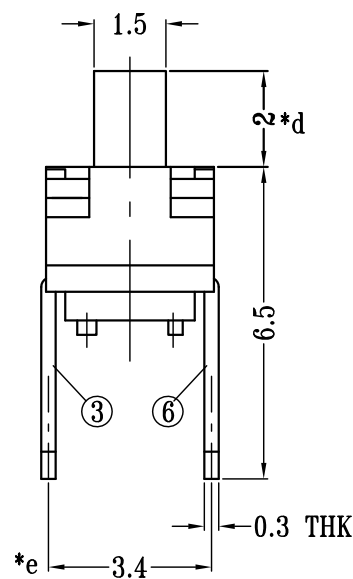
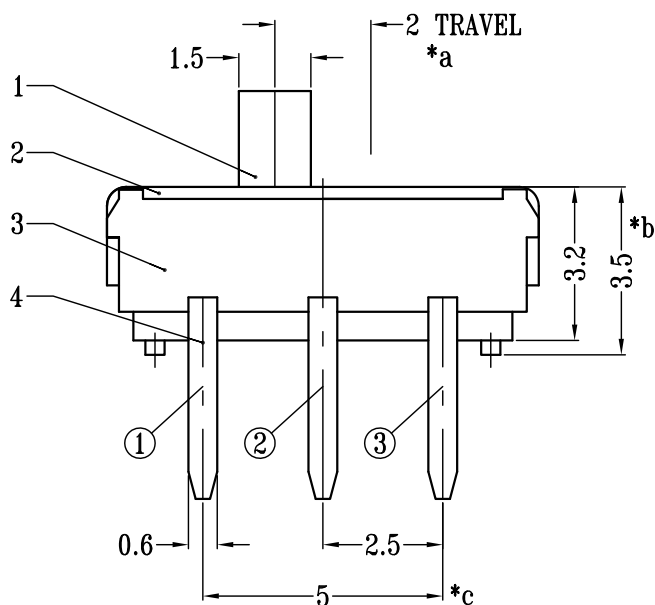


CAD FILE:



SCHEMATIC



P.C.B LAYOUT
BOTTOM VIEW

注: "*"表示关键尺寸(5个).

NO.	PARTS	MATERIALS	Q'TY	FINISH	TOLERANCE UNLESS SPECIFIED							
8					WITHIN 1.5mm : ±0.1mm		A	2019-11-10	初版	王远杰		
7					OVER 1.5mm : ±0.2mm		ISSUE	DATE	DESCRIPTIONS OF REVISION	APPD.		
6					TITLE : MINI SLIDE SWITCH					UNIT : mm	DRWG NO.: HQ-DR-MS22D16G2-00	
5	CONTACT	PBS WIRE	2	Ag PLATED	MODEL: MS22D16G2-B 弹线					SCALE: 6:1		
4	TERMINAL	BRASS STRIP	6	Ag PLATED	东莞市铭标电子科技有限公司 Ming Mark Electronic Technology Co., Ltd.					DWN.	王远杰	2019-11-10
3	CASE	PPA	1	BLACK						CHK'D	朱明华	2019-11-10
2	COVER	SUS	1	NATURAL	RoHS					APPD.	朱明华	2019-11-10
1	KNOB	PPA	1	BLACK								