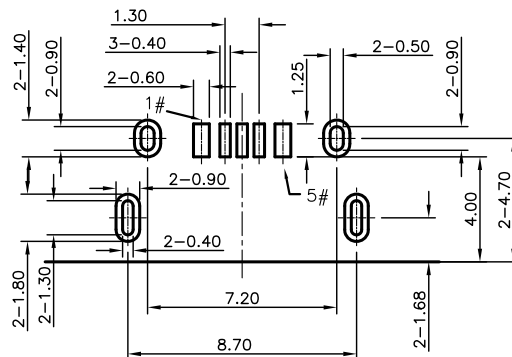
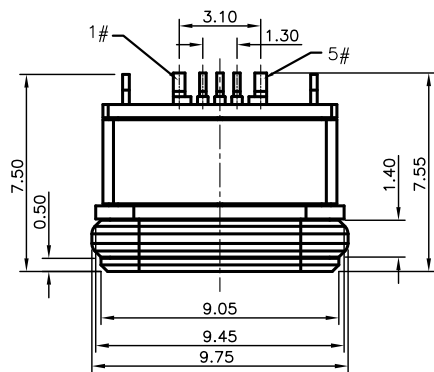
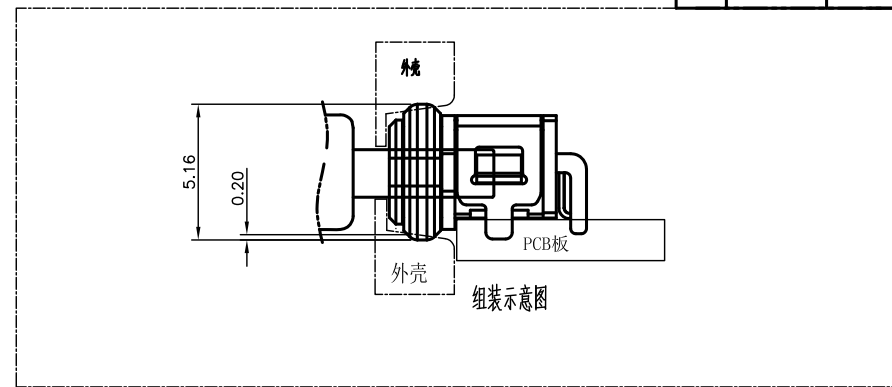


CAD GENERATED DRAWING. DON'T CHANGE BY HAND.

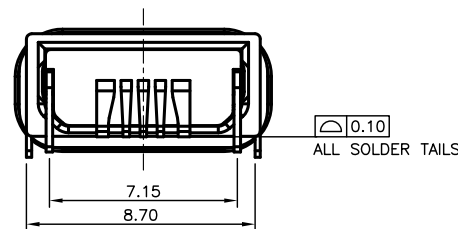
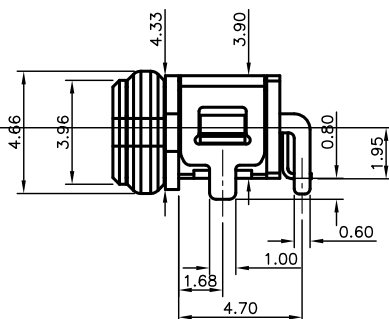
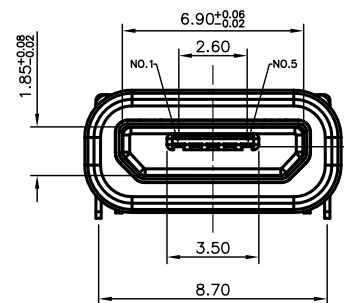
REV.	ECN. NO.	APPD.



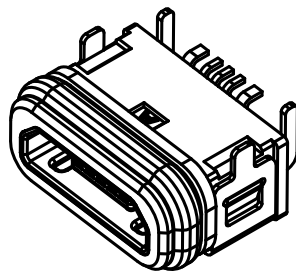
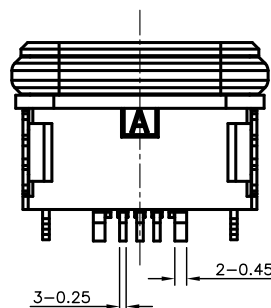
RECOMMENDED P.C.B. LAYOUT (TOP VIEW)
GENERAL TOLERANCE: ±0.05



特殊设计注意
 1. 请注意外壳插入时的顺序, 禁止大力插不进去。
 2. 从PCB板取出时, 如使用吸锡器、镊子、尖嘴钳、热风枪, 请往TYPE-C口吹热风, 禁止用烙铁, 禁止TYPE-C表面烙铁不合适的烙铁。
 3. 禁止用烙铁直接烙TYPE-C表面。



SPECIFICATIONS:
 1. ELECTRICAL CHARACTERISTICS:
 1.1. RATING: 3A;
 1.2. CONTACT RESISTANCE: 30 mΩ MAX.(INITIAL);
 1.3. DIELECTRIC WITHSTANDING: 100V AC MIN.;
 1.4. INSULATION RESISTANCE: 100MΩ MIN.;
 2. DURABILITY: 5,000 CYCLES MIN.;
 3. INSERTION FORCE: 5-20N;
 4. EXTRACTION FORCE: 6-20N;
 5. WATER PROOFNESS: THIS PRODUCT IS BASED ON IPX8.
 6. PLUG INTERFACE DIMENSIONS CONFORM TO USB2.0 SPEC.
 7. PACKAGING: TAPE & REEL.



Contact Number	Signal Name	Remarks
1#	VBUS	Power
2#	D-	Date-
3#	D+	Date+
4#	ID	Reserve or Gound
5#	GND	Gound

3	Shell1/2	2	Ni Plating	
2	Contact	6	copper alloy Au/Ni Plating T=0.20mm	
1	Housing	1	PA10T (G.F30%)	
ITEM	PART NAME	Q'TY	FINISH	NOTE
X	±0.50	X* ±2°	UNITS	东莞市铭标电子科技有限公司
X	±0.30	X* ±1°	mm	
.XX	±0.20	.XX* ±0.5°	MAT'L	
.XXX	±0.05			
THESE DRAWINGS AND SPECIFICATIONS ARE THE PROPERTY OF E-ZONE ELECTRONIC TECHNOLOGY CO.,LTD.AND SHALL NOT BE REPRODUCED, COPIED OR USED IN ANY MANNER WITHOUT THE PRIOR WRITTEN CONSENT OF E-ZONE ELECTRONIC TECHNOLOGY CO., LTD			FINISH	PART NO. USB-1118IPX8-00
			Q'TY	TITLE: MICRO USB 5PIN SMT Type
				APPD: RADDM
				CHKD: MARK
			DR: Steven.Rao 2020/03/08	DWG NO: USB-1118IPX8-00
				SCALE SHEET REV. 1/1 1/1 A1